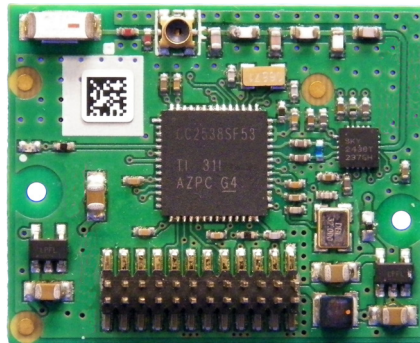


VT8000 Room Controllers

Zigbee Pro Module Installation Guide VCM8000V5045P



Installation

This guide shows you how to install the Zigbee Pro wireless module with a VT8000 Room Controller.

1. Remove the security screw from the bottom of the Room Controller cover.
2. Open the unit by pulling on the bottom of the Room Controller (Figure 1).
3. Carefully turn the Room Controller over to access the motherboard.
4. Locate the gap in the upper-right corner of the Room Controller's motherboard, as well as the holes indicating where to insert the Zigbee Pro module into the motherboard (Figure 2).
5. Align the connector pins of the Zigbee Pro module with the holes on the motherboard.
NOTE: Ensure the pins are aligned correctly to avoid damaging the Zigbee Pro module.
6. Gently press the Zigbee Pro module into the Room Controller's motherboard until it fits snugly into place.
NOTE: Do not press too hard to avoid damaging the Zigbee Pro module.
7. Gently align the cover with the top of the base, and snap it into place from the bottom (Figure 3).
8. Install the security screw.

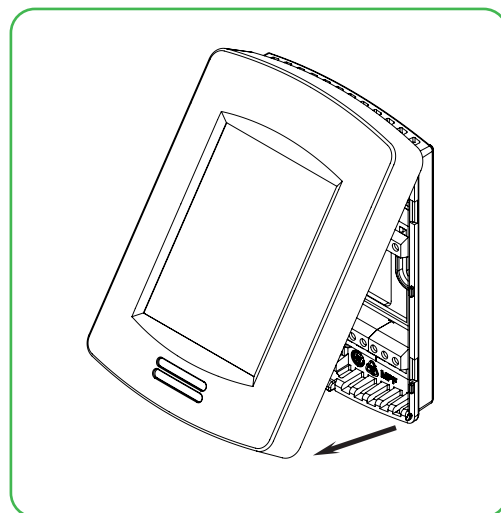


Figure 1

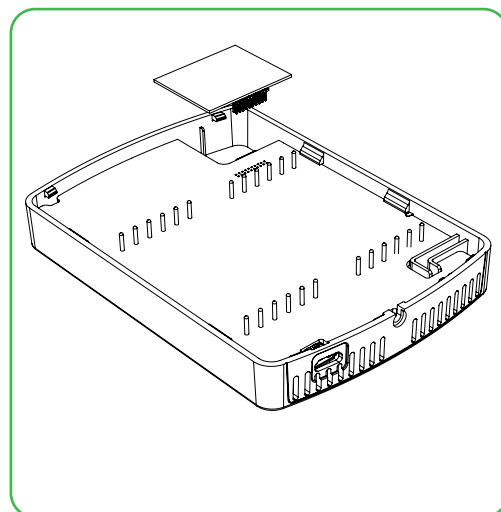


Figure 2

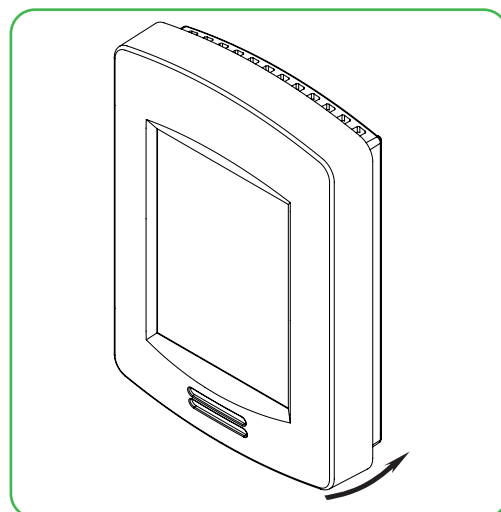


Figure 3

Quick setup

This short procedure is intended to let you pair a Zigbee sensor with your Room Controller. It assumes that all the back-end configuration of the stand alone Room Controller acting as coordinator or the Building Management System (BMS) server/controller coordinator for the Zigbee network has already been done, and it assumes that the user is familiar with the Permit Join function and the Wireless Ecosystem screen functions.

Procedure

1. Set Permit Join on your Room Controller (or networked BMS coordinator if used) to On.
2. Go to the first unused Zone screen in the Wireless Ecosystem section of the Room Controller's interface.
3. Insert the battery or remove the pull tab (for contact sensors) to activate the Zigbee sensor.
4. Verify that the sensor has joined the network, and that on the Zone screen the Paired field status reads Yes.
5. Set the Set function to parameter to the correct setting.
6. Set Permit Join on your Room Controller (or networked BMS coordinator if used) to Off.
7. Conditional to the use of door or window contact sensors:
 - a. Go to the first screen in the Configuration section of the interface.
 - b. For window sensor, set UI 16 to Window.
 - c. For door sensor, set UI 17 to Door Dry.
8. Physically install the sensor.

Troubleshooting

If the short procedure described here is insufficient or a BMS or Room Controller needs to be configured, please refer to the VT8000 Room Controllers Zigbee Sensors Integration Guide available on www.viconics.com.

California Proposition 65

⚠ WARNING

CALIFORNIA PROPOSITION 65

This product can expose you to chemicals including Lead, which are known to the State of California to cause cancer and birth defects or other reproductive harm. For more information, go to www.P65Warnings.ca.gov.

Failure to follow these instructions can result in birth defects or other reproductive harm.