

V400

10 A DPDT Enclosed Relay



Product Overview

The Victory 400 Series 10 A DPDT pilot duty enclosed relays combine industrial strength and ease of use. The nipple mount enclosure makes installation easy. With no need for a dedicated field enclosure, they are the ideal retrofit devices. One coil input controls the state of two pilot rated contacts for the simultaneous control of two devices or both poles of a single-phase circuit, e.g. motor loads. Field-selectable high and low voltage coil inputs provide on-site versatility.

DANGER

HAZARD OF ELECTRIC SHOCK, EXPLOSION, OR ARC FLASH

- Follow safe electrical work practices. See NFPA 70E in the USA, or applicable local codes.
- This equipment must only be installed and serviced by qualified electrical personnel.
- Read, understand and follow the instructions before installing this product.
- Turn off all power supplying equipment before working on or inside the equipment.
- Use a properly rated voltage sensing device to confirm power is off.

DO NOT DEPEND ON THIS PRODUCT FOR VOLTAGE INDICATION

Failure to follow these instructions will result in death or serious injury.

A qualified person is one who has skills and knowledge related to the construction and operation of this electrical equipment and the installation, and has received safety

NOTICE

- This product is not intended for life or safety applications.
- Do not install this product in hazardous or classified locations.
- The installer is responsible for conformance to all applicable codes.
- Mount this product inside a suitable fire and electrical enclosure.

Ordering Information

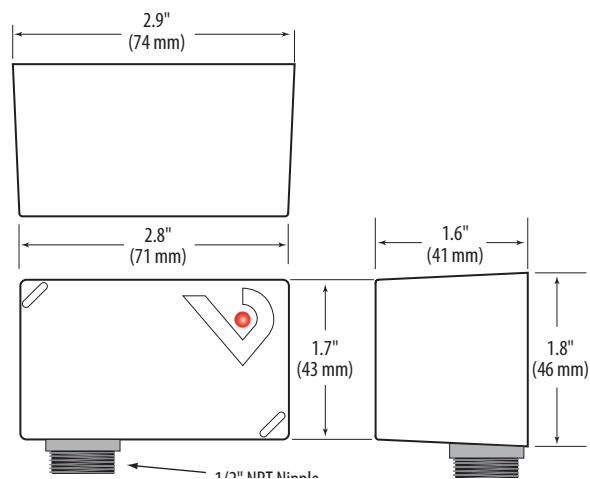
Model	Relay	Coil	Amperage Rating	Relay Power LED	UL
V400	DPDT	20 to 30 Vac/dc, 208 to 277 Vac	10 A	Yes	Yes

Note: Some units are Plenum rated per UL 1995. For details, see White Paper VWP01, UL 1995 and Plenum Ratings, at www.veris.com.

Specifications

Operating Temperature	-34 to 60 °C (-29 to 140 °F)
Operating Humidity	10 to 90% non-condensing
Expected Relay Life	Electrical (at rated current): 100,000 cycles Mechanical (unpowered): 10,000,000 cycles
Relay Status	LED ON=energized
Wire Lead Length	14" (356mm) min.
Wire Gauge	UL1015; Coil: 18AWG; Contacts: 16AWG
Insulation Class	600 Vac RMS
Agency Approvals	UL508 enclosed device listing, pollution degree 2

Dimensions



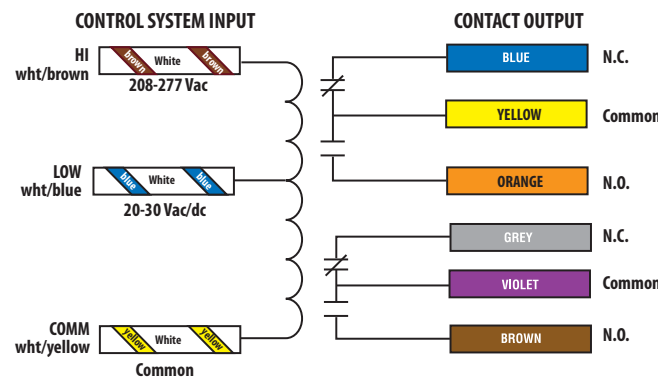
Installation

Disconnect and lock out all power sources before beginning the installation.

1. Using the threaded nipple, connect the relay to the desired enclosure through a knock out hole.
2. Secure with the conduit nut provided.
3. Connect coil:
 - Choose the coil common lead (white with yellow stripe) and connect it to the common (-) source termination point.
 - Choose either the low voltage (10-30 Vac/dc, white with blue stripe) or high voltage (208-277 Vac, white with brown stripe) lead, depending on the application requirements, and connect it to the (+) source termination point.*
4. Connect relay contacts:
 - Choose the relay common wire (yellow) and connect to the switched load.
 - Choose the relay N.O. (orange) and/or* N.C. (blue) lead and connect to the switched load.
 - Repeat with violet, brown, and grey wires, respectively, for the second set of contacts
5. Secure the enclosure and reconnect power.

* Isolate or insulate all non-terminated wires according to local electrical code requirements, i.e. wire nut.

Wiring Color Codes



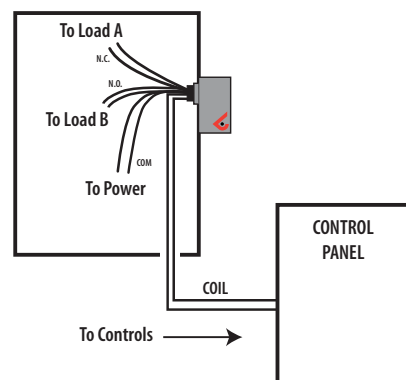
Contact and Coil Specifications

TYPICAL COIL PERFORMANCE			
Pull in Voltage	AC	DC	
	20-30 V.....	18	20
	208-277 V.....	186	
Drop Out Voltage	AC	DC	
	20-30 V.....	4	5
	208-277 V.....	44	
Voltage	Coil	Current	
		AC	DC
	24 V.....	43 mA	25 mA
	30 V.....	54 mA	31 mA
	208 V.....	27 mA	-
277 V.....	36 mA	-	

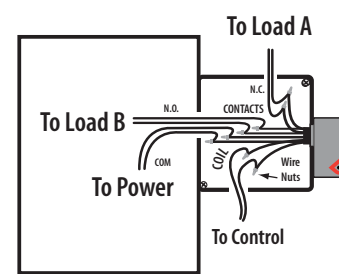
CONTACT RATINGS*	
Resistive.....	10 A@250 Vac, 30 Vdc
Motor.....	120 Vac, 1/8HP
*Contact ratings are for single pole operation. When operating both poles simultaneously, the total load cannot exceed the ratings above.	

Wiring Examples

Nipple mount directly to a panel



Nipple mount to a 2x or 4x electrical box



* Isolate any unused wires, e.g. wire nut.