

# PG/PV Series

## Gauge Pressure Sensors

### Product Overview

The PG, PV, PGE, and PVE pressure transducers are compatible with a variety of HVAC and industrial applications. Volt and mA output options ensure integration with building systems. A wide selection of pressure ranges offers application flexibility. PG and PV deluxe models have a stainless steel housing, while PGE and PVE standard models have a stainless steel wetted connector. All models are warranted for a period of five years.



PG/PV only

### NOTICE

- This product is not intended for life or safety applications.
- Do not install this product in hazardous or classified locations.
- Read and understand the instructions before installing this product.
- Turn off all power supplying equipment before working on it.
- The installer is responsible for conformance to all applicable codes.

No responsibility is assumed by Veris Industries for any consequences arising out of the use of this material.

### Product Identification

Type	Range	Wetted Material	Output
PG <input type="checkbox"/>	<input type="checkbox"/>	<input type="checkbox"/>	<input type="checkbox"/>
Blank = Deluxe E = Economy	03 = 0 to 15 psig (Deluxe only) 04 = 0 to 25 psig 05 = 0 to 50 psig 06 = 0 to 75 psig 07 = 0 to 100 psig 08 = 0 to 250 psig 09 = 0 to 500 psig 10 = 0 to 1000 psig 11 = 0 to 5000 psig 12 = 0 to 10000 psig	A = 316L stainless steel	B = 1-5VDC (economy only) M = 4-20mA V = 0-10VDC (deluxe only) J = 0-5VDC (deluxe only)

Type	Range	Wetted Material	Output
PV <input type="checkbox"/>	<input type="checkbox"/>	<input type="checkbox"/>	<input type="checkbox"/>
Blank = Deluxe E = Economy	03 = -14.7 to 15 psig (Deluxe only) 04 = -14.7 to 25 psig 05 = -14.7 to 50 psig 06 = -14.7 to 75 psig 07 = -14.7 to 100 psig 08 = -14.7 to 250 psig 09 = -14.7 to 500 psig 10 = -14.7 to 1000 psig 11 = -14.7 to 5000 psig 12 = -14.7 to 10000 psig	A = 316L stainless steel	B = 1-5VDC (economy only) M = 4-20mA V = 0-10VDC (deluxe only) J = 0-5VDC (deluxe only)

Call factory for ranges not shown.

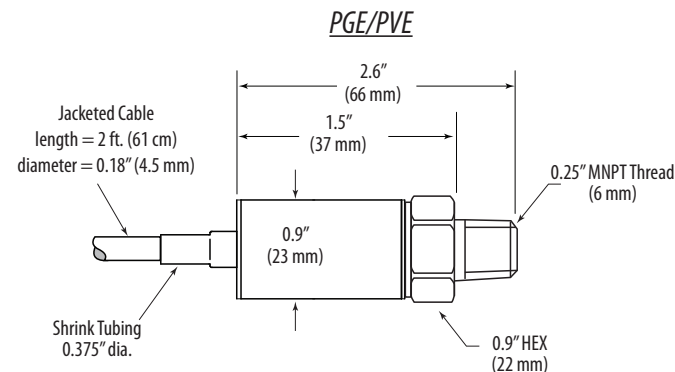
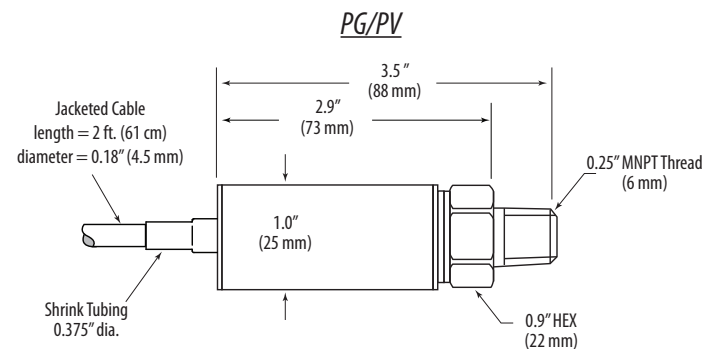
## Specifications

<b>ELECTRICAL</b>	
<b>Supply Voltage</b>	10-28VDC
<b>Output</b>	Deluxe: 0-5 (3-wire), 0-10 VDC (3-wire), or 4-20 mA (2-wire); Standard: 1-5VDC (3 wire) or 4-20mA (2-wire)
<b>Load Impedance</b>	>100 kΩ
<b>Standard Connection</b>	Cable gland 24" (600 mm) length
<b>Pressure Port</b>	1/4" NPT Male
<b>PERFORMANCE AT 25°C (77°F)</b>	
<b>Accuracy *</b>	Deluxe: ±0.25% BFSL **; Standard: ±0.50% BFSL **
<b>Media Compatibility</b>	Fluids & gases compatible with 316L stainless steel
<b>Pressure Cycles</b>	>100 million cycles
<b>Over Pressure</b>	2x F.S. without change in calibration
<b>Burst Pressure</b>	5x rated pressure or 20,000 psi
<b>ENVIRONMENTAL</b>	
<b>Shock</b>	100G, 11 msec, 1/2 sine
<b>Vibration</b>	Deluxe: 20G peak, 20 to 2400 Hz; Standard: 10G peak, 20 to 2000 Hz
<b>EMI/RFI Protection</b>	Deluxe: yes; Standard: no
<b>Rating</b>	Deluxe: IP-66; Standard: IP-65
<b>Operating Temp Range</b>	-40° to 85°C (-40° to 185°F)
<b>Compensated Temp Range</b>	0° to 55°C (32° to 130°F)
<b>Total Error Band Over Temp</b>	<±3% of FS
<b>Humidity</b>	0-95% RH noncondensing

\* Accuracy includes nonlinearity and hysteresis.

\*\* BFSL = Best fit straight line

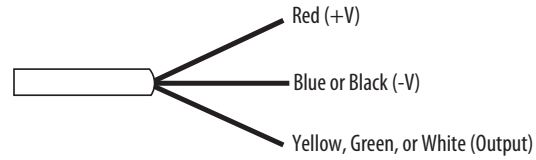
## Dimensions



## Installation

1. Insert the probe into the area to be measured.
2. Wire according to the diagrams below.

3-wire, 0-5VDC/0-10VDC



2-wire, 4-20mA

