



# SNAPTRACK™ 10A SPDT Relays

## VST10 & 100 Series



VST10-4



VST100

### SPECIFICATIONS

Operating Temp Range	0° to 60°C (32° to 140°F)
Operating Humidity Range	10-90% RH non-condensing
Relay Status	LED ON=energized
Auxiliary Supply for HOA	24VAC/DC (supplied from a Class 2 or LVLE source)*
Expected Relay Life	Electrical (@ rated current) 100,000 cycles; Mechanical (unpowered) 10,000,000 cycles
Insulation Class	600VAC RMS (coil to contact); 120VAC RMS (terminal to surface)
Agency Approvals	UL 508

\*Class 2 source: A source that provides a Class 2 power supply as defined by the NEC, NFPA-70.

LVLE: Low voltage limited energy, not capable of providing more than 30VAC/42.4VDC, 8A or 100VA

SNAPTRACK is a trademark of Tyco Electronics.

### TYPICAL COIL PERFORMANCE

VST10/VST11 VOLTAGE	Coil Current	
	AC	DC
24V.....	32mA	15mA

VST100/VST101 VOLTAGE	Coil Current	
	AC	DC
30V.....	39mA	18mA
120V.....	22mA	

### CONTACT RATINGS

<b>VST10/VST11</b>	
Resistive.....	10A@250VAC 5A@30VDC
Motor.....	120VAC, 1/4HP N.O. 1/8 HP N.C.
<b>VST100/VST101</b>	
Resistive.....	10A@240VAC, 28VDC
Motor.....	120VAC, 1/3HP N.O. 1/6 HP N.C. 240VAC, 1/3HP N.O. 1/6 HP N.C.

## Space Saving Open Style Relays

### FEATURES

- Mount relay right in the panel to save installation time and space on the jobsite
- Available HOA switch coil for easy job commissioning
- LED to prove status...saves labor costs
- 10A SPDT relay for low power applications...provides versatility
- 4" models come with pre-drilled holes for direct panel/wall mounting...one unit for multiple mounting options, fewer models to purchase, stock, & install

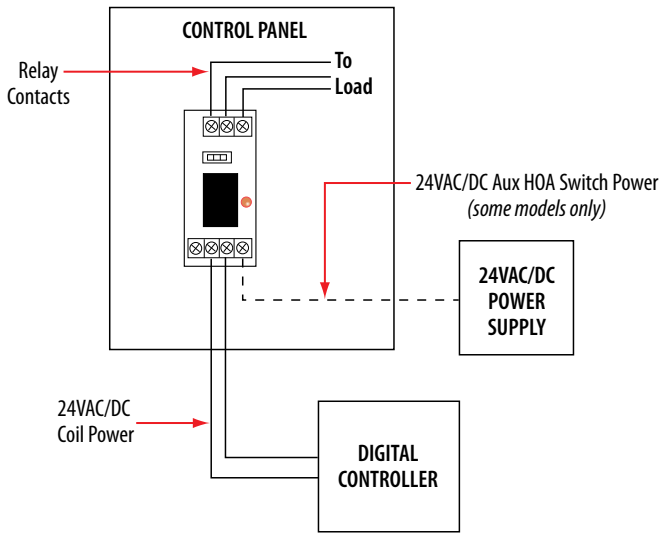
### DESCRIPTION

**VST10 and VST100 Series** track mount relays are industrial-strength relays that easily mount to either 2.75" or 4" SNAPTRACK™. Fit many relays in a small electrical box for easy installation and service, as well as saving space on the job site. All models are manufactured with an LED for coil status indication. Some models are available with an HOA switch for local control.

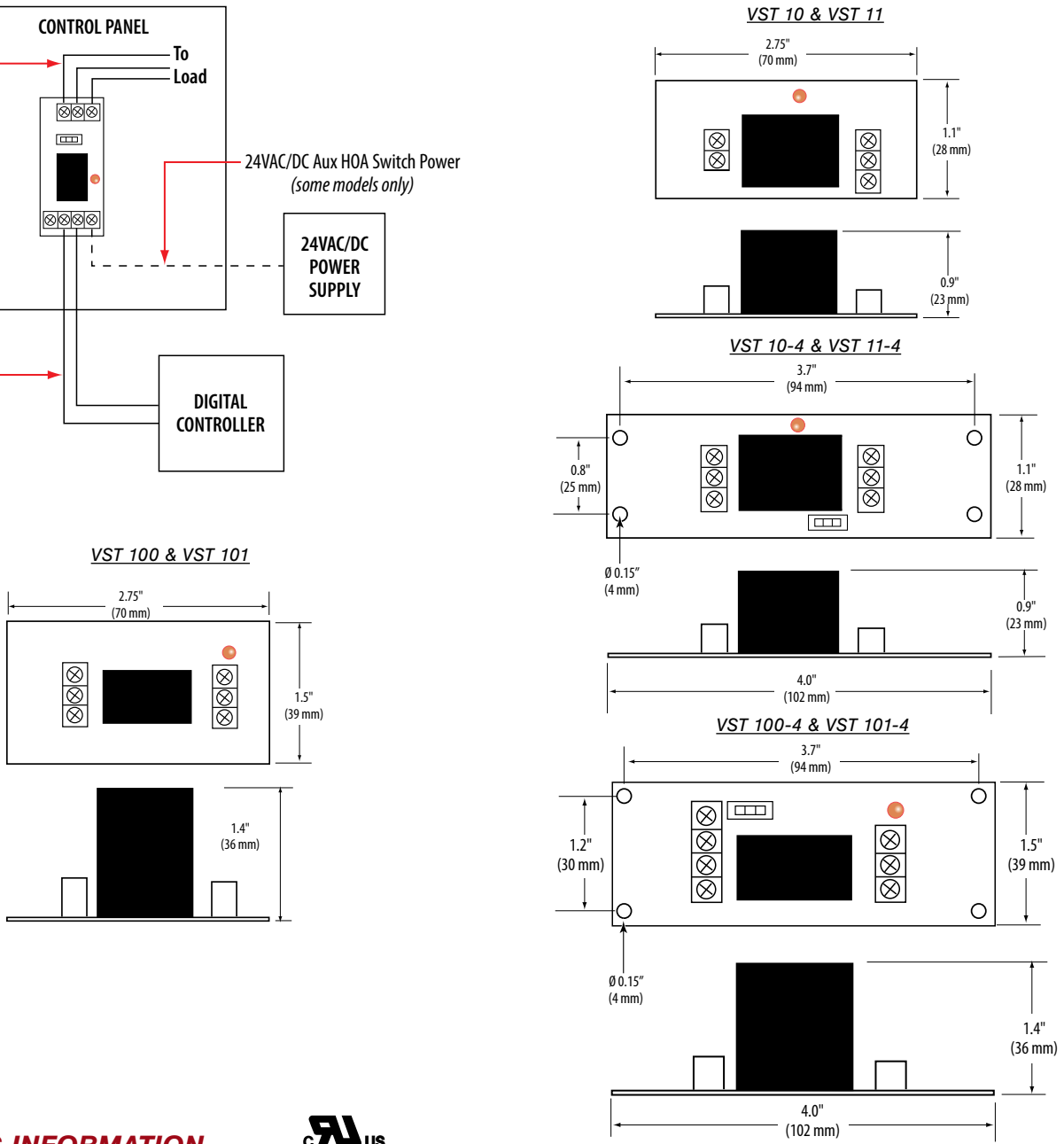
### APPLICATIONS

- Sense voltages for alarm conditions
- Relay logic
- Isolation
- Device interlocking

**WIRING DIAGRAMS**



**DIMENSIONAL DRAWINGS**



**ORDERING INFORMATION**



MODEL	RELAY	COIL	AMPERAGE RATING	HOA	LENGTH	RELAY POWER LED	UL
VST10	SPDT	24VAC/DC	10A		2.75" (69.9 mm)	●	●
VST10-4		24VAC/DC			4.0" (101.6 mm)	●	●
VST11		24VAC/DC		● +	2.75" (69.9 mm)	●	●
VST11-4		24VAC/DC		● +	4.0" (101.6 mm)	●	●
VST100		10-30VAC/DC, 120VAC			2.75" (69.9 mm)	●	●
VST100-4		10-30VAC/DC, 120VAC			4.0" (101.6 mm)	●	●
VST101		10-30VAC/DC, 120VAC		● +	2.75" (69.9 mm)	●	●
VST101-4		10-30VAC/DC, 120VAC		● +	4.0" (101.6 mm)	●	●

\*Coil side Hand-Off-Auto switch contained in low-voltage portion of input circuit

**ACCESSORIES**

2" and 12" lengths of SNAPTRACK™ (AV03, AV04, AV05, AV06)

