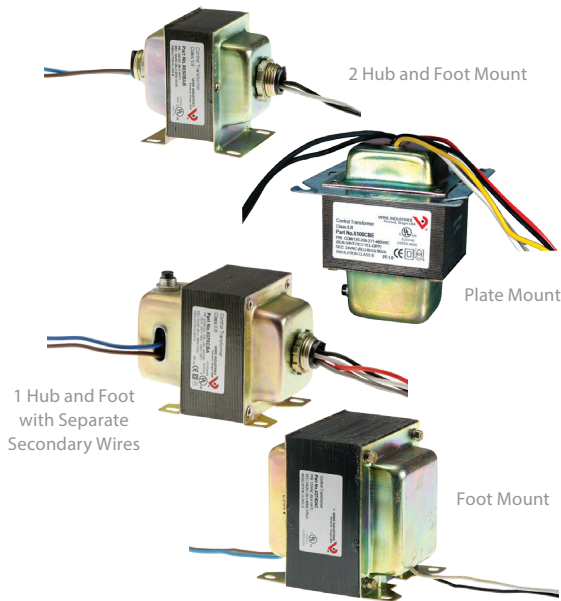


X SERIES



Veris X Series Control Transformers are a convenient source of control power for HVAC control and building automation applications. A wide variety of UL-listed transformers are available with single and dual threaded hub mounting options. Multiple current limiting options are available, including a circuit breaker in some models. Save ordering time and purchase order costs when buying other Veris sensors by including transformers in your order.

SPECIFICATIONS

Frequency	50/60 Hz
Operating Temperature	-40 to 65 °C (-40 to 149 °F)
No Load Voltage	27 to 28 Vac
Hub Style	Fits 1/2" electrical k.o.
Wire	UL 1015, 18 AWG*
Wire Length	8 inches
WARRANTY	
Limited Warranty	5 years
AGENCY APPROVALS	



*X085AAA, X375DAC have 14 AWG secondary wires.
 **The CE mark indicates RoHS2 compliance.

UL Listings

UL Listings for all models simplify panel building requirements

One-stop shopping

Save time by ordering along with other Veris products

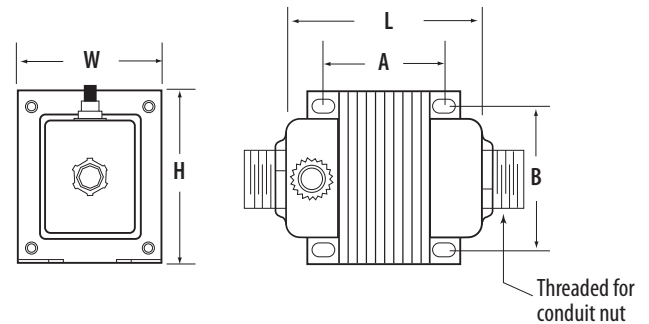
Threaded hub options

Threaded hub options maximize installation flexibility

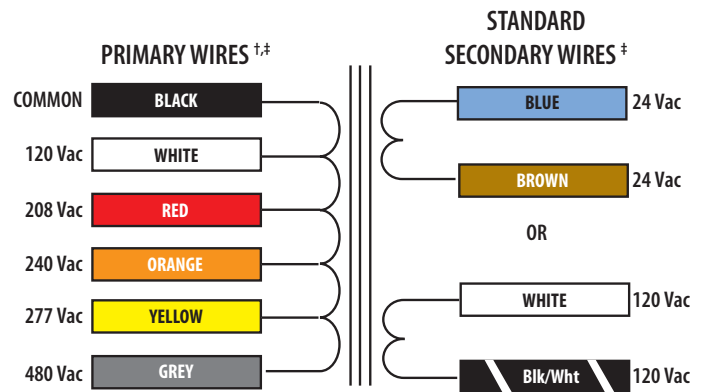
APPLICATIONS

- Controller power
- Powering sensors
- Driving relays and other digital I/O circuits

DIMENSIONAL DRAWING

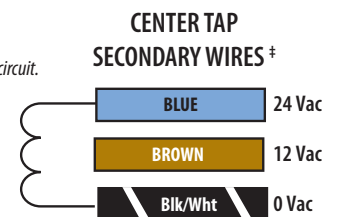


WIRE COLORS



† Primary of 24 V isolation transformers = Red/Red

‡ Colors refer to the transformer wiring, not the external circuit.



ORDERING INFORMATION

MODEL	VA	PRIMARY VOLTAGE (VAC)	SECONDARY VOLTAGE (VAC)	CURRENT LIMITING METHOD	CLASS	MOUNTING	SEPARATED PRIMARY & SECONDARY WIRES	UL	CE	L	W	H	A	B
STANDARD														
X020AAA	20	120	24	Inherent	2	1HUB+FT		•	•	2.3	1.9	2.6	1.59	1.69
X020ACA		277		Inherent	2	1HUB+FT		•	•	2.3	1.9	2.6	1.59	1.69
X020ADA		24		Inherent	General	1HUB+FT		•	•	2.3	1.9	2.6	1.59	1.69
X040AAA	40	120		Inherent	2	1HUB+FT		•	•	2.7	2.2	2.9	1.98	1.81
X040AAB		120		Inherent	2	2HUB+FT	•	•	•	2.7	2.2	2.9	1.98	1.81
X040ACA		277		Inherent	2	1HUB+FT		•	•	2.7	2.2	2.9	1.98	1.81
X040ADA		24		Inherent	2	1HUB+FT		•	•	2.7	2.2	2.9	1.98	1.81
X040AMB		120/208/240/277		Fuse	2	2HUB+FT	•	•	•	2.7	2.2	2.9	1.98	1.81
X040BNA		120/208/240		Fuse	2	1HUB+FT		•	•	2.7	2.2	2.9	1.98	1.81
X040BPC	24	12/24	Fuse	2	Foot	•	•	•	2.7	2.2	2.9	1.98	1.81	
X050BAA	50	120	24	Fuse	2	1HUB+FT		•	•	2.8	2.2	2.9	2.06	1.81
X050BAB		120		Fuse	2	2HUB+FT	•	•	•	2.8	2.2	2.9	2.06	1.81
X050BCA		277		Fuse	2	1HUB+FT		•	•	2.8	2.2	2.9	2.06	1.81
X050BGB		208/240		Fuse	2	2HUB+FT	•	•	•	2.8	2.2	2.9	2.06	1.81
X050CAA		120		Circuit Breaker	2	1HUB+FT		•	•	3.5	2.5	3.1	1.91	2.03
X050CBA		120/240/277/480		Circuit Breaker	2	1HUB+FT		•	•	3.5	2.5	3.1	1.91	2.03
X050CBB		120/240/277/480		Circuit Breaker	2	2HUB+FT	•	•	•	3.5	2.5	3.1	1.91	2.03
X050CCA		277		Circuit Breaker	2	1HUB+FT		•	•	3.5	2.5	3.1	1.91	2.03
X050CEB		208/240/277/480		Circuit Breaker	General	2HUB+FT	•	•	•	3.5	2.5	3.1	1.91	2.03
X050CEG		208/240/277/480	Circuit Breaker	General	Plate, 90° Sec Elbow	•	•	•	3.5	4.0	4.0	3.38	3.38	
X050CHA		120/208/240/480	120	Circuit Breaker	2	1HUB+FT		•	•	3.5	2.5	3.1	1.91	2.03
X050CHB		120/208/240/480		Circuit Breaker	2	2HUB+FT	•	•	•	3.5	2.5	3.1	1.91	2.03
X050CNA		120/208/240		Circuit Breaker	2	1HUB+FT		•	•	3.5	2.5	3.1	1.91	2.03
X050CNB		120/208/240		Circuit Breaker	2	2HUB+FT	•	•	•	3.5	2.5	3.1	1.91	2.03
X050COA		120/208/240/277/480		Circuit Breaker	2	1HUB+FT		•	•	3.5	2.5	3.1	1.91	2.03
X050COB	120/208/240/277/480	Circuit Breaker		2	2HUB+FT	•	•	•	4.3	2.5	3.1	2.70	2.00	
X050DLB	220	None		2	2HUB+FT	•	•	•	2.8	2.2	2.9	2.06	1.81	
X075CAA	120	24		Circuit Breaker	2	1HUB+FT		•	•	3.9	2.5	3.1	2.31	2.03
X075CAB	120			Circuit Breaker	2	2HUB+FT	•	•	•	3.9	2.5	3.1	2.31	2.03
X075CBA	120/240/277/480			Circuit Breaker	2	1HUB+FT		•	•	3.9	2.5	3.1	2.31	2.03
X075CHA	120/208/240/480			Circuit Breaker	2	1HUB+FT		•	•	3.9	2.5	3.1	2.31	2.03
X085AAA	120			Inherent	General	1HUB+FT		•	•	3.2	3.8	3.2	2.2	3.14
X100CAA	120			Circuit Breaker	2	1HUB+FT		•	•	4.1	2.5	3.1	2.51	2.03
X100CAB	120	99		Circuit Breaker	2	2HUB+FT	•	•	•	4.1	2.5	3.1	2.51	2.03
X100CBA	120/240/277/480			Circuit Breaker	2	1HUB+FT		•	•	4.3	2.5	3.1	2.70	2.03
X100CBB	120/240/277/480		Circuit Breaker	2	2HUB+FT	•	•	•	4.3	2.5	3.1	2.70	2.03	
X100CBE	120/208/277/480		Circuit Breaker	2	Plate		•	•	4.3	4.0	4.0	3.38	3.38	
X100CHB	120/208/240/480		Circuit Breaker	2	2HUB+FT	•	•	•	4.3	2.5	3.1	2.70	2.03	
X100CKB	480		120	Circuit Breaker	General	2HUB+FT	•	•	•	4.1	2.5	3.1	2.51	2.03
X100CLB	220	150	Circuit Breaker	2	2HUB+FT	•	•	•	4.1	2.5	3.1	2.51	2.03	
X150CAA	120		Circuit Breaker	General	1HUB+FT	•	•	•	3.5	3.8	3.2	2.08	3.26	
X175BAB	120		24	Fuse	General	2HUB+FT	•	•	•	4.1	3.8	3.2	3.19	3.14
X175CAB	120			Circuit Breaker	General	2HUB+FT	•	•	•	4.1	3.8	3.2	3.19	3.14
X240DAA	240		120	None	General	1HUB+FT	•	•	•	3.7	3.8	4.5	3.24	3.18
X375DAC	375		120	None	General	Foot	•	•	•	4.3	3.8	4.5	3.83	3.18
CENTER TAP														
X020APC	20	24	12/24	Inherent	2	Foot	•	•	•	2.3	1.9	2.6	1.59	1.69
X040BQC	40	120/208/240		Fuse	2	Foot	•	•	•	2.7	2.2	2.9	1.98	1.81
X100CRC	100	120/240		Circuit Breaker	2	1HUB+FT	•	•	•	4.3	2.5	3.1	2.70	2.03

