

VT7300 SERIES

BACnet, Echelon, and Wireless
Models Available



VT7300C5000



VT7300C5500

The VT7300 PI thermostat family is designed for fancoil control. The product features a backlit LCD display with dedicated function menu buttons for simple operation. Accurate temperature control is achieved with the PI proportional control algorithm, which virtually eliminates temperature offsets associated with traditional, differential-based thermostats. All models can control three, two, or single fan speeds. Three additional inputs are also provided for added functionality. All models feature configurable System and Fan button functions to meet a range of applications and an auxiliary contact that controls lighting or auxiliary reheating. All devices are also available with Echelon or BACnet MS/TP network adapters.

SPECIFICATIONS

Thermostat Power Requirements	19 to 30 Vac; 50 or 60 Hz; 2 VA Class 2
Operating Conditions	0 to 50 °C (32 to 122 °F); 0 to 95% RH non-condensing
Storage Conditions	-30 to 50 °C (-22 to 122 °F); 0 to 95% RH non-condensing
Temperature Sensor	Local 10k NTC thermistor
Resolution	±0.1 °C (± 0.2 °F)
Control Accuracy: Temp Humidity	±0.5 °C (±0.9 °F) @ 21 °C (70 °F) typical, calibrated ±3% from 20 to 70% RH at 21 °C (70 °F)
Occupied and Unoccupied Setpoint Range Cooling	12 to 38 °C (54 to 100 °F)
Occupied and Unoccupied Setpoint Range Heating	4.5 to 32 °C (40 to 90 °F)
Room and Outdoor Air Temperature Display	-40 to 50 °C (-40 to 122 °F)
Proportional Band for Room Temperature Range Control	Cooling & Heating: 1.8 °C (3.2 °F)
Binary Inputs	Dry contact across terminal BI1, BI2 & UI3 to Scom
Outputs Rating	Triac output: 30 Vac, 1 A max., 3 A in-rush; Analog: 0 to 10 Vdc into 2k Ω resistance min.
Economizer Analog Output Rating	0 to 10 Vdc into 2k Ω resistance min.
Economizer Analog Output Accuracy	±3% typical

Available internal humidity sensing

Increased occupant comfort through dehumidification

Configurable sequences

Configurable sequences of operation...single model meets more applications

Advanced occupancy functions

Advanced occupancy functions through the network or smart local occupancy sensing

Configurable inputs

Three configurable inputs for added functionality

Configurable fan

Configurable fan functions button...meets more applications with a single model

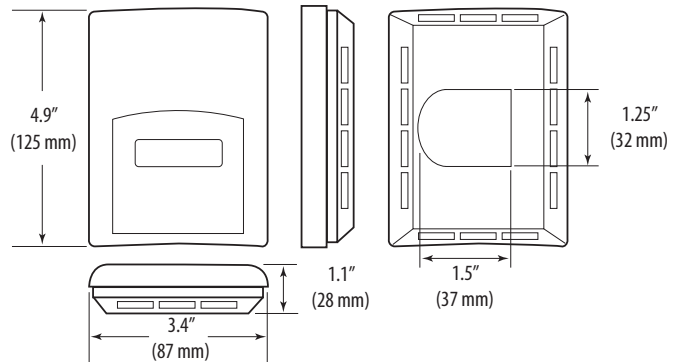
Minimize parameter tampering

Unique local configuration utility

APPLICATIONS

- Three-speed fans
- Heating/cooling valves
- Electric duct heaters
- Changeover sensors

DIMENSIONAL DRAWING



Wire Gauge	18 gauge maximum, 22 gauge recommended
Dimensions	4.94" x 3.38" x 1.13"
Approximate Shipping Weight	0.75 lb (0.34 kg)

WARRANTY

Limited Warranty	2 years
------------------	---------

AGENCY APPROVALS



*The CE mark indicates RoHS2 compliance.

UL: 873 (US) and CSA C22.2 No. 24 (Canada), File E27734 with CCN, XAPX (US) and XAPX7 (Canada)

FCC: Compliant to CFR 47, Part 15, Subpart B, Class A (US)

Industry Canada: ICES-003 (Canada)

CE: EMC Directive 2004/108/EC (European Union)



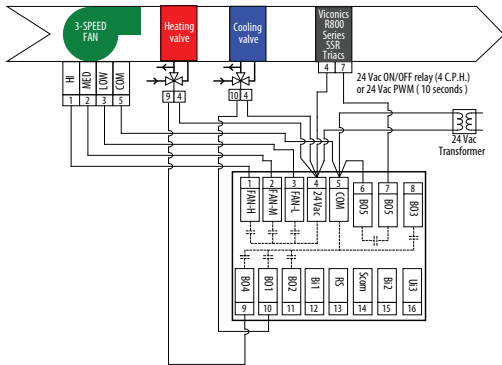
ORDERING INFORMATION

MANUF. PART #	ORDERING #	DESCRIPTION	COMM.
VT7300C5000	U009-0005	Fancoil Commercial 2	Standalone
VT7300C5000B	U009-0006	Floating + 1 Auxiliary;	BACnet (MS/TP)
VT7300C5000E	U009-0007	PIR Ready (PIR cover not included)	Echelon
VT7300C5000W	U009-0008		Wireless (Zigbee)
VT7305C5000	U009-0013	Fancoil Hotel 2 Floating	Standalone
VT7305C5000B	U009-0014	+ 1 Auxiliary;	BACnet (MS/TP)
VT7305C5000E	U009-0015	PIR Ready (PIR cover not included)	Echelon
VT7305C5000W	U009-0016		Wireless (Zigbee)
VT7350C5000	U009-0017	Fancoil Commercial 2	Standalone
VT7350C5000B	U009-0018	Floating + 1 Auxiliary + RH;	BACnet (MS/TP)
VT7350C5000E	U009-0019	PIR Ready (PIR cover not included)	Echelon
VT7350C5000W	U009-0020		Wireless (Zigbee)
VT7355C5000	U009-0021	Fancoil Hotel 2 Floating	Standalone
VT7355C5000B	U009-0022	+ 1 Auxiliary + RH;	BACnet (MS/TP)
VT7355C5000E	U009-0023	PIR Ready (PIR cover not included)	Echelon
VT7355C5000W	U009-0024		Wireless (Zigbee)
VT7300C5500	U009-0033	Fancoil Commercial 2	Standalone
VT7300C5500B	U009-0034	Floating + 1 Auxiliary;	BACnet (MS/TP)
VT7300C5500E	U009-0035	PIR factory equipped	Echelon
VT7300C5500W	U009-0036		Wireless (Zigbee)
VT7305C5500	U009-0037	Fancoil Hotel 2 Floating	Standalone
VT7305C5500B	U009-0038	+ 1 Auxiliary;	BACnet (MS/TP)
VT7305C5500E	U009-0039	PIR factory equipped	Echelon
VT7305C5500W	U009-0040		Wireless (Zigbee)
VT7350C5500	U009-0041	Fancoil Commercial 2	Standalone
VT7350C5500B	U009-0042	Floating + 1 Auxiliary + RH;	BACnet (MS/TP)
VT7350C5500E	U009-0043	PIR factory equipped	Echelon
VT7350C5500W	U009-0044		Wireless (Zigbee)
VT7355C5500	U009-0045	Fancoil Hotel 2 Floating	Standalone
VT7355C5500B	U009-0046	+ 1 Auxiliary + RH;	BACnet (MS/TP)
VT7355C5500E	U009-0047	PIR factory equipped	Echelon
VT7355C5500W	U009-0048		Wireless (Zigbee)

MANUF. PART #	ORDERING #	DESCRIPTION	COMM.
VT7300F5000	U009-0049	Fancoil Commercial 2	Standalone
VT7300F5000B	U009-0050	Analog + 1 Auxiliary;	BACnet (MS/TP)
VT7300F5000E	U009-0051	PIR Ready (PIR cover not included)	Echelon
VT7300F5000W	U009-0052		Wireless (Zigbee)
VT7305F5000	U009-0053	Fancoil Hotel 2 Analog +	Standalone
VT7305F5000B	U009-0054	1 Auxiliary;	BACnet (MS/TP)
VT7305F5000E	U009-0055	PIR Ready (PIR cover not included)	Echelon
VT7305F5000W	U009-0056		Wireless (Zigbee)
VT7350F5000	U009-0057	Fancoil Commercial 2	Standalone
VT7350F5000B	U009-0058	Analog + 1 Auxiliary + RH;	BACnet (MS/TP)
VT7350F5000E	U009-0059	PIR Ready (PIR cover not included)	Echelon
VT7350F5000W	U009-0060		Wireless (Zigbee)
VT7355F5000	U009-0061	Fancoil Hotel 2 Analog +	Standalone
VT7355F5000B	U009-0062	1 Auxiliary + RH;	BACnet (MS/TP)
VT7355F5000E	U009-0063	PIR Ready (PIR cover not included)	Echelon
VT7355F5000W	U009-0064		Wireless (Zigbee)
VT7300F5500	U009-0065	Fancoil Commercial 2	Standalone
VT7300F5500B	U009-0066	Analog + 1 Auxiliary;	BACnet (MS/TP)
VT7300F5500E	U009-0067	PIR factory equipped	Echelon
VT7300F5500W	U009-0068		Wireless (Zigbee)
VT7305F5500	U009-0069	Fancoil Hotel 2 Analog +	Standalone
VT7305F5500B	U009-0070	1 Auxiliary;	BACnet (MS/TP)
VT7305F5500E	U009-0071	PIR factory equipped	Echelon
VT7305F5500W	U009-0072		Wireless (Zigbee)
VT7350F5500	U009-0073	Fancoil Commercial 2	Standalone
VT7350F5500B	U009-0074	Analog + 1 Auxiliary + RH;	BACnet (MS/TP)
VT7350F5500E	U009-0075	PIR factory equipped	Echelon
VT7350F5500W	U009-0076		Wireless (Zigbee)
VT7355F5500	U009-0077	Fancoil Hotel 2 Analog +	Standalone
VT7355F5500B	U009-0078	1 Auxiliary + RH;	BACnet (MS/TP)
VT7355F5500E	U009-0079	PIR factory equipped	Echelon
VT7355F5500W	U009-0080		Wireless (Zigbee)

TYPICAL 4-PIPE APPLICATION, ON/OFF OUTPUTS

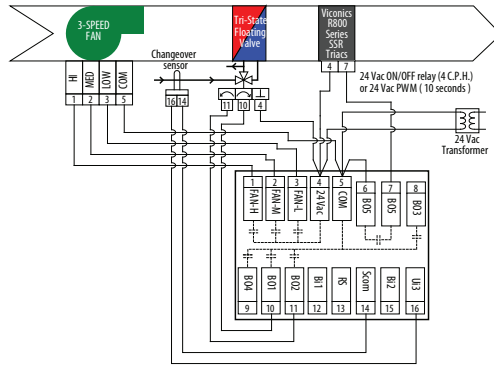
Wiring Examples



* Use for heating and cooling valves, 3-speed fans, and electric duct heaters.

TYPICAL 2-PIPE APPLICATION, FLOATING OUTPUTS

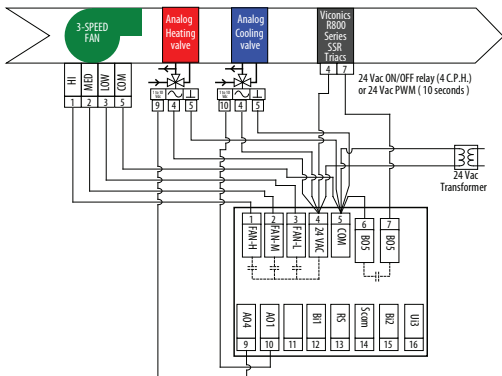
Wiring Examples



* Use for heating and cooling valves, 3-speed fans, and electric duct heaters.

TYPICAL 4-PIPE APPLICATION

Wiring Examples



TYPICAL 2-PIPE APPLICATION

Wiring Examples

