



VST10 & 100 Series



VST10-4



VST100

SPECIFICATIONS

Operating Temp. Range	0 to 60 °C (32 to 140 °F)
Operating Humidity Range	10 to 90% RH non-condensing
Relay Status	LED ON=energized
Auxiliary Supply for HOA	24VAC/DC (supplied from a Class 2 or LVLE source)*
Expected Relay Life	Electrical (@ rated current) 100,000 cycles; Mechanical (unpowered) 10,000,000 cycles
Insulation Class	600 Vac RMS (coil to contact); 120 Vac RMS (terminal to surface)
Agency Approvals	UL 508

WARRANTY

Limited Warranty	5 years
------------------	---------

*Class 2 source: A source that provides a Class 2 power supply as defined by the NEC, NFPA-70.

LVLE: Low voltage limited energy, not capable of providing more than 30 Vac/42.4 Vdc, 8 A or 100 VA.

SNAPTRACK is a trademark of Tyco Electronics.

TYPICAL COIL PERFORMANCE

VST10/VST11	Coil Current	
	AC	DC
Voltage		
24 V	32 mA	15 mA
120 V	84 mA	
277 V	102 mA	

VST100/VST101	Coil Current	
	AC	DC
Voltage		
30 V	39 mA	18 mA
120 V	22 mA	

CONTACT RATINGS

VST10/VST11	
Resistive	10 A @ 250 Vac
	5 A @ 30 Vdc
Motor	120 Vac, 1/4 HP N.O.
	1/8 HP N.C.
VST100/VST101	
Resistive	10 A @ 240 Vac, 28 Vdc
	120 Vac, 1/3 HP N.O.
Motor	1/6 HP N.C.
	240 Vac, 1/3 HP N.O.
	1/6 HP N.C.

SPACE-SAVING OPEN-STYLE RELAYS

FEATURES

- Mount relay right in the panel to save installation time and space on the jobsite
- Available HOA switch coil for easy job commissioning
- LED to prove status...saves labor costs
- 10 A SPDT relay for low power applications...provides versatility
- 4" models come with pre-drilled holes for direct panel/wall mounting...one unit for multiple mounting options, fewer models to purchase, stock, and install

DESCRIPTION

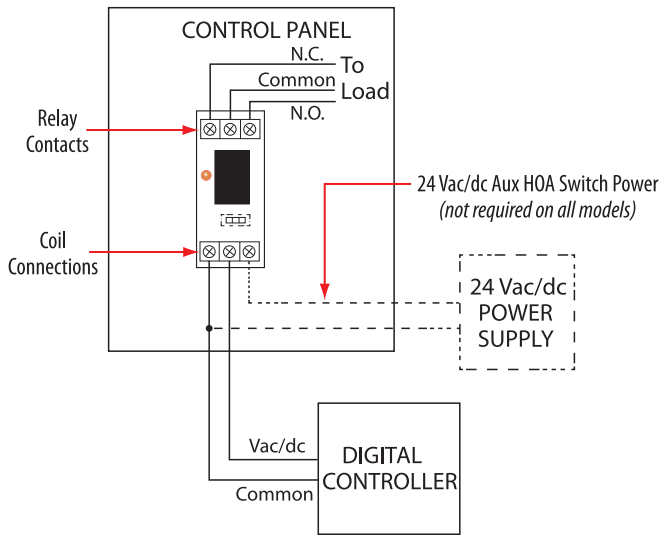
VST10 and VST100 Series track mount relays are industrial strength relays that easily mount to either 2.75" or 4" SNAPTRACK™. Fit many relays in a small electrical box for easy installation and service, as well as saving space on the job site. All models are manufactured with an LED for coil status indication. Some models are available with an HOA switch for local control.

APPLICATIONS

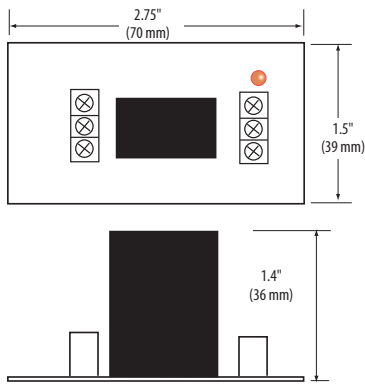
- Sense voltages for alarm conditions
- Relay logic
- Isolation
- Device interlocking



WIRING DIAGRAMS

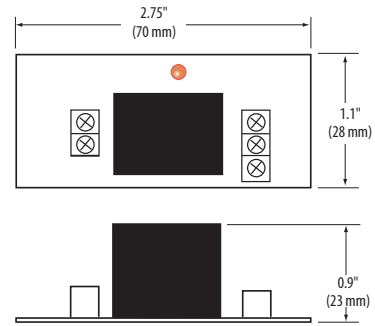


VST 100 & VST 101

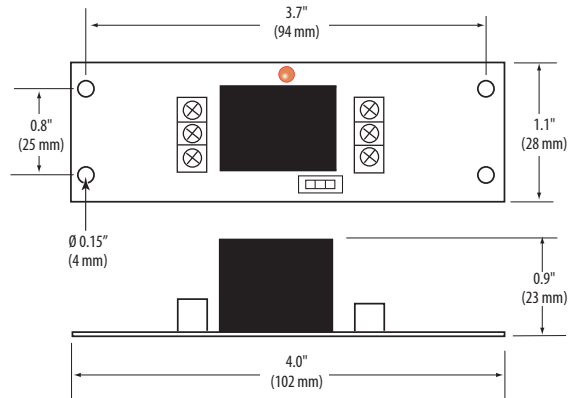


DIMENSIONAL DRAWINGS

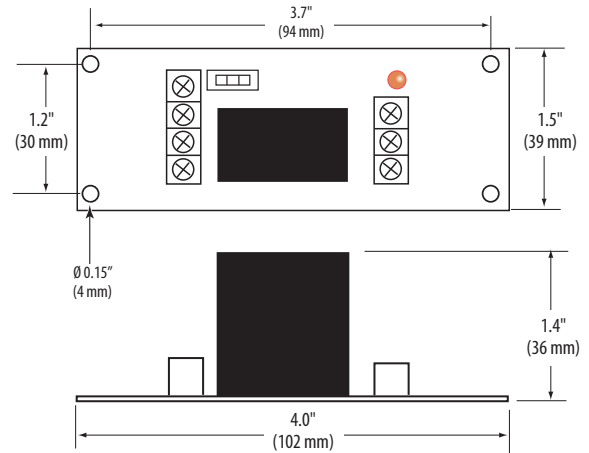
VST 10 & VST 11



VST 10-4 & VST 11-4



VST 100-4 & VST 101-4



ORDERING INFORMATION



MODEL	RELAY	COIL	AMPERAGE RATING	HOA	LENGTH	RELAY POWER LED	UL
VST10	SPDT	24 Vac/dc	10 A		2.75" (69.9 mm)	●	●
VST10-4		24 Vac/dc			4.0" (101.6 mm)	●	●
VST11		24 Vac/dc		●*	2.75" (69.9 mm)	●	●
VST11-4		24 Vac/dc		●*	4.0" (101.6 mm)	●	●
VST100		10 to 30 Vac/dc, 120 Vac			2.75" (69.9 mm)	●	●
VST100-4		10 to 30 Vac/dc, 120 Vac			4.0" (101.6 mm)	●	●
VST101		10 to 30 Vac/dc, 120 Vac		●*	2.75" (69.9 mm)	●	●
VST101-4		10 to 30 Vac/dc, 120 Vac		●*	4.0" (101.6 mm)	●	●

*Coil side Hand-Off-Auto switch contained in low-voltage portion of input circuit

ACCESSORIES

2" and 12" lengths of SNAPTRACK™ (AV03, AV04, AV05, AV06)

