

PD SERIES

Rugged, One-Piece Construction



The versatile PD Digital Pressure Gauge can be used with any gas, liquid, or solid that is compatible with 17-4 stainless steel. The one-piece construction employs no silicone oil, welds, O-rings, or seals, making it the ideal universal pressure measurement device. The large LCD display shows the current reading, the selected scale, and the maximum and minimum pressure. All functions are easily controlled from the four panel push buttons located below the display.

SPECIFICATIONS

GENERAL

Input Power: 4 to 20mA Output Models Voltage Output Models	7.5 to 32 Vdc 15 to 32 Vdc
Pressure	See ordering table; consult factory for additional ranges
Measurement Units	psi, bar, kg/cm ² , atm, in. of Hg, in. of H ₂ O* (selectable)
Accuracy**	<± 0.5% BFSL***
Stability (1 yr)	±0.25% of FS Typical
Over Range Protection	2x Rated Pressure
Burst Pressure	5x Rated Pressure or 5000 psi, whichever is less
Pressure Cycles	>100 Million

TEMPERATURE RANGES

Media	-55 to 125 °C (-65 to 257 °F)
Operating (Ambient)	-10 to 70 °C (15 to 158 °F)
Storage: 4 to 20mA and Voltage Output Models	-40 to 65 °C (-40 to 150 °F)

THERMAL LIMITS

Compensated Range	0 to 55 °C (32 to 130 °F)
TC Zero	<±1.5% of FS
TC Span	<±1.5% of FS

Multiple pressure range options

Fits a wide variety of application needs

Rugged

Rugged one-piece construction... provides long product life

Large LCD display

Clear readings at a distance

Switch-selectable

Switch-selectable scales... for maximum resolution and versatility

Pushbutton zero

Maximizes accuracy and prevents callbacks

NEMA 4/IP65

NEMA 4/IP65 housing

APPLICATIONS

- Pump inlet/outlet and compressors
- Inert gas pressure measurement
- Hydraulic/pneumatic systems
- Energy and fluid management
- Refrigeration equipment/fluids/test stands
- Industrial process control
- Vacuum chambers
- Lab and research
- Irrigation

Connection	¼" NPT Male
Update Rate 4 to 20mA and Voltage Output Models	32 times per second
Housing	NEMA 4, IP65, Polycarbonate
Output: Analog Output Models	4 to 20 mA loop powered or 0-5/0-10 Vdc

WARRANTY

Limited Warranty	1 year
------------------	--------

*Inches H₂O units available on ≤250 psi range devices only

**Accuracy includes non-linearity, hysteresis, and non-repeatability, measured at 25 °C (77 °F)

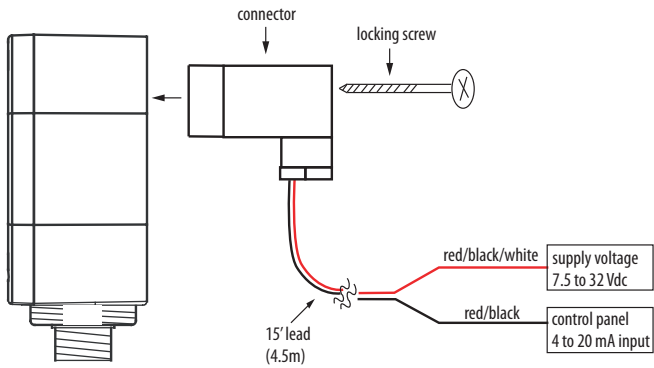
***Best fit straight line

Note: Select a loop power supply and total loop resistance so that when the loop current is 20 mA, the gauge will have at least 7.5 Vdc at its terminals.



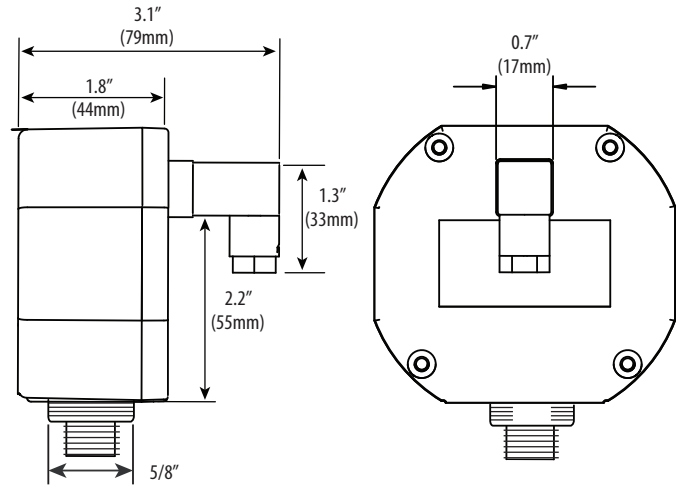
ANALOG OUTPUT VERSION

Wiring Diagram



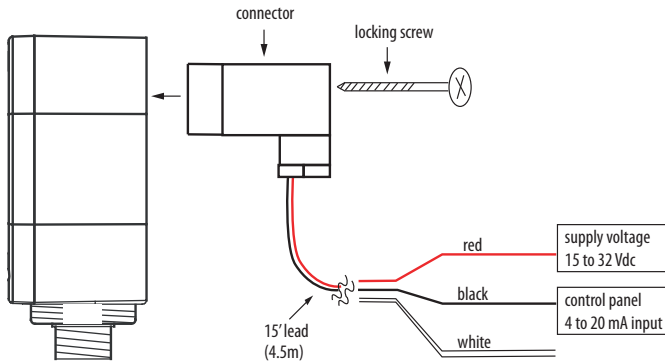
4 TO 20 MA OUTPUT VERSION

Dimensional Drawing



VOLTAGE OUTPUT VERSION

Wiring Diagram



ORDERING INFORMATION

Pressure Range	Material	Output
PD <input type="checkbox"/> 50 = 0 to 50 psig 100 = 0 to 100 psig 250 = 0 to 250 psig	A <input type="checkbox"/> = 17 - 45S	<input type="checkbox"/> M = 4 to 20 mA <input type="checkbox"/> V = 0-5Vdc/0-10Vdc