

MSB SERIES

Employs a Low-Energy Switch Circuit to Maximize Contact Life



MSBP

The MSB Series employs the latest passive infrared (PIR) technology to automatically control lighting for areas up to 1000 square feet, achieving energy savings and convenience.

Each sensor employs a special 180° multi-segmented lens and PIR motion detector circuit to sense when a person enters the area and automatically activate the lights. The sensor will automatically switch the lights off after a preset delay if motion is no longer detected.

The MSB Series fits in place of existing wall switches, connecting to existing wiring, similar to a typical wall switch. The MSB Series is the simplest way to achieve energy saving lighting control with minimal installation time.

To assure long relay life, the MSB Series employs a low energy switch circuit to assure maximum contact life. These sensors are compatible with electronic and magnetic ballast loads.

SPECIFICATIONS

Standards	UL and cUL Listed; FCC part 15 (Class B) for home and office use
Input	120 or 277 Vac±10% 60 Hz
Output	120 Vac, 1000 W max. tungsten incandescent load; 1000 VA max. ballast load; ¼ HP max. motor load; 277 Vac; 1800 VA max. ballast load
Temperature	0 to 50 °C (32 to 122 °F)
Humidity	Max. 90% RH non-condensing

WARRANTY

Limited Warranty	1 year
------------------	--------

AGENCY APPROVALS



Adjustable

Adjustable time delay

Line powered

No separate supply needed

Bypass button

Bypass button for “always on” operability...simplifies commissioning 180-degree motion detection

Ballast compatibility

Compatible with magnetic and electronic ballasts...provides ultimate flexibility

180 degrees

180-degree motion detection

Loading

No minimum loading requirement

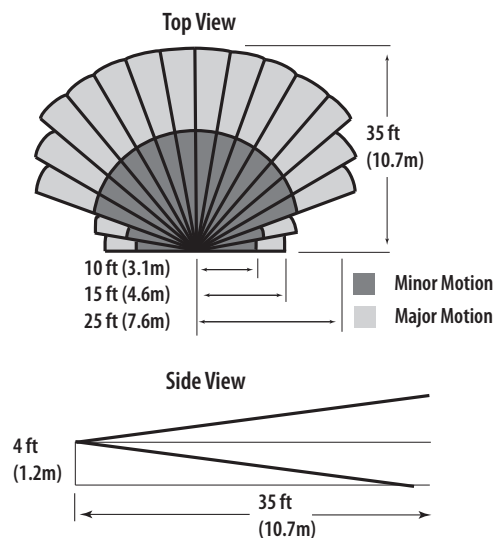
APPLICATIONS

- Lighting control for LEED* programs and reduced energy usage
- Use in offices, copy rooms, common building areas, storage closets, small conference rooms, and more
- Fits in place of existing wall switches connecting to the existing active line and ground wiring...great for retrofit installations

*Leadership in Energy and Environmental Design (LEED) is a registered mark of the US Green Building Council

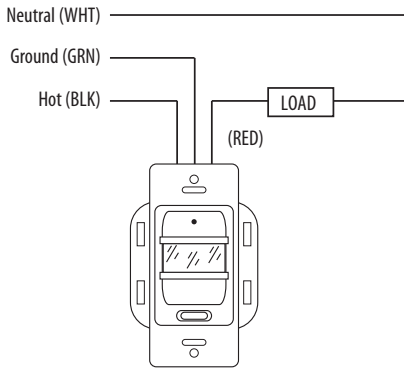
MSB SERIES

Coverage Patterns



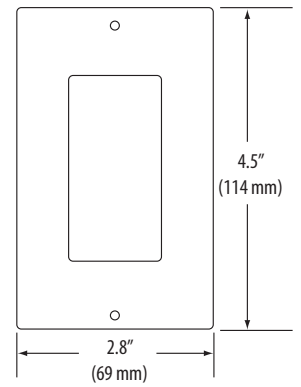
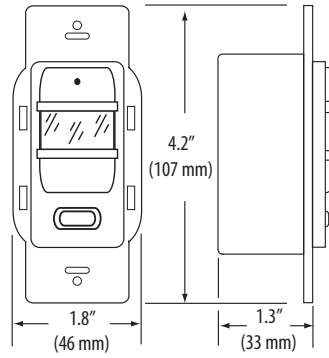
SINGLE-LEVEL LIGHTING

Wiring Diagram



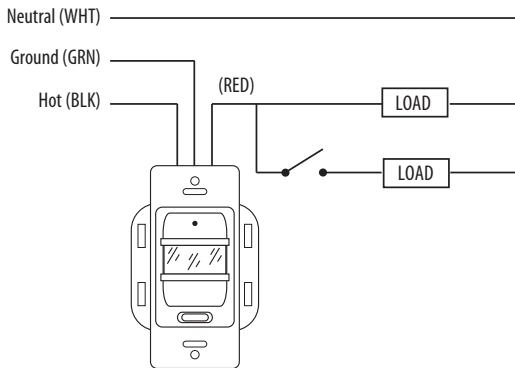
MSB SERIES

Dimensional Drawings



BI-LEVEL LIGHTING

Wiring Diagram



ORDERING INFORMATION

Sensing Technology	Turn On	# of Circuits	Color	
MSB P		1		Example: MSB P A 1 V
= Passive Infrared (PIR)	A = Automatic M = Manual		W = White V = Ivory	