



H931 & H951



H931



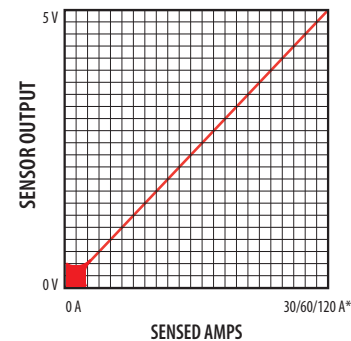
SPECIFICATIONS

Sensor Power	30 mA (max.) @ 12 to 30 Vdc
Insulation Class	600 Vac RMS
Frequency Range	50/60 Hz
Temperature Range	-15 to 60 °C (5 to 140 °F)
Humidity Range	10 to 90% RH non-condensing
Accuracy	±2% F.S. from 10% to 100% (selected range)
Response Time	2 sec.
Terminal Block Wire Size	24 to 14 AWG (0.2 to 2.1 mm ²)
Terminal Block Torque	3.5 to 4.4 in-lbs (0.4 to 0.5 N-m)
Agency Approvals	UL 508 open device listing, CAT III, pollution degree 2, basic insulation
Limited Warranty	5 years

Note: Do not use LED status indicators as evidence of applied voltage

EXAMPLE LINEAR OUTPUT

Scale software as shown



*Factory calibrated ranges selected with the amperage range switch

LOAD TRENDING AND CONTROL RELAY IN ONE PACKAGE

FEATURES

- Loop-powered analog current transducer with integral start/stop command relay
- Reduces the number of installed components...saves time and space
- Self-gripping, split-core design for fast retrofit installation...no need to remove conductor
- One device to install for start/stop & status...reduces installation charges
- Power the current sensor and receive the 4 to 20 mA signal with only two wires...fewer wires required than with traditional 3-wire sensors
- Selectable factory calibrated ranges up to 120 A for increased flexibility and resolution
- Factory calibrated switch-selectable ranges (30/60/120 A) for high resolution and installation ease
- No jumpers on unit...reduce installation error
- Removable mounting bracket for installation flexibility
- Bracket can be installed in three different configurations...added flexibility
- Command relay switches up to 5 A @ 240 Vac
- 5-year warranty

DESCRIPTION

The **Hawkeye 931 and 951** provide accurate load trending information with a proportional 4 to 20 mA output signal. These devices offer three amperage ranges for versatility, with easy slide-switch selection. The command relay is fully integrated in the device, but it is isolated from the current transducer. This combination makes these products ideal for start/stop control and status monitoring of motors, using one device instead of two.

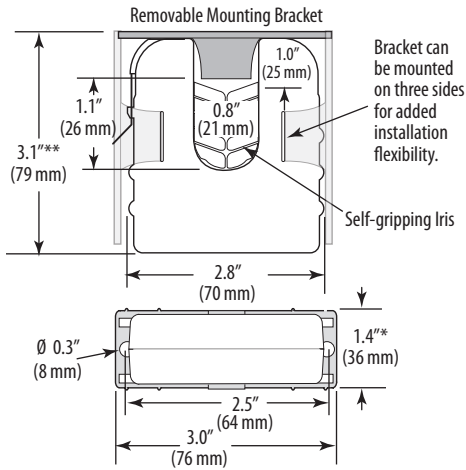
APPLICATIONS

- Load trending
- Motor control
- Positive proof of flow



DIMENSIONAL DRAWING

H931/H951



* Terminal block may extend up to 1/8" over the height dimensions shown.
 ** Slide switch may extend up to 1/4" over the height dimensions shown.

RELAY CONTACT RATINGS (N.O.)

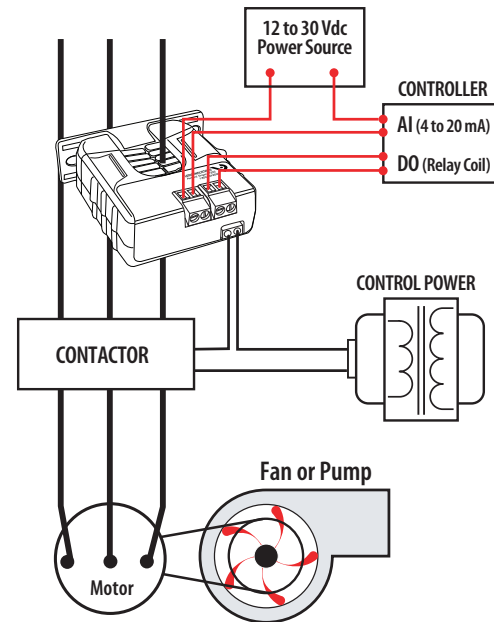
Resistive	5 A @ 250 Vac, 30 Vdc
	5 A @ 30 Vac, 30 Vdc
Inductive	2 A @ 250 Vac, 30 Vdc
	2 A @ 30 Vac, 30 Vdc

TYPICAL COIL PERFORMANCE

Voltage	AC	DC
24 (H931)	15	15
12 (H951)		20
Pull In Voltage (H951 only)		
12 Vdc		8.4 Vdc
Drop Out Voltage (H951 only)		
12 Vdc		3.0 Vdc

WIRING DIAGRAM

Trending & Controlling Motor Loads with the Hawkeye 931



ORDERING INFORMATION

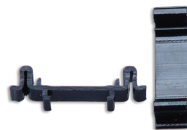


MODEL	AMPERAGE RANGE	SENSOR OUTPUT	RELAY TYPE	RELAY COIL	RELAY	RELAY POWER LED	UL
H931	0 to 30/60/120 A	4 to 20 mA	SPST, N.O.	24 Vac/dc	●	●	●
H951				12 Vdc nom.	●	●	●

ACCESSORIES

DIN Rail Clip Set (AH01)

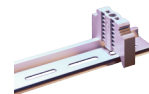
DIN Rail (AV01) and DIN Stop Clip (AV02)



AH01



AV01



AV02