



H8920-x Series



H8920-x

SPECIFICATIONS

LonWorks Network	Free topology transceiver, 78 kbps
Modbus Network	RTU 9600 BAUD, 8N1 format
Input Power	16-24VAC/DC, 100mA (max.)
Temperature Range	0° to 60°C (32° to 140°F)
Humidity Range	0 - 95% noncondensing; indoor use only
WARRANTY	
Limited Warranty	5 years

CONVERT MODBUS DATA TO LONTALK PROTOCOL

DESCRIPTION

To answer the need for open-protocol standards and cost-effective energy information, Veris Industries offers the H8920 Series of LonTalk Integration Nodes. Transducers can be connected to LonWorks networks through the H8920 devices.

Using an indexing method, H8920 devices can report data from multiple Veris power meters on the downstream Modbus network. Just select the Modbus address of a specific meter by sending a SNVT, and that meter's data is provided in LonTalk. Acquire and record the desired data, and move on to select another device.

FEATURES

- Pre-configured to pass points acquired by Veris transducers to a Lon controller
- Easy cost-effective connectivity to LonWorks systems...makes open connectivity possible
- Flexible mounting and wiring options save time and money

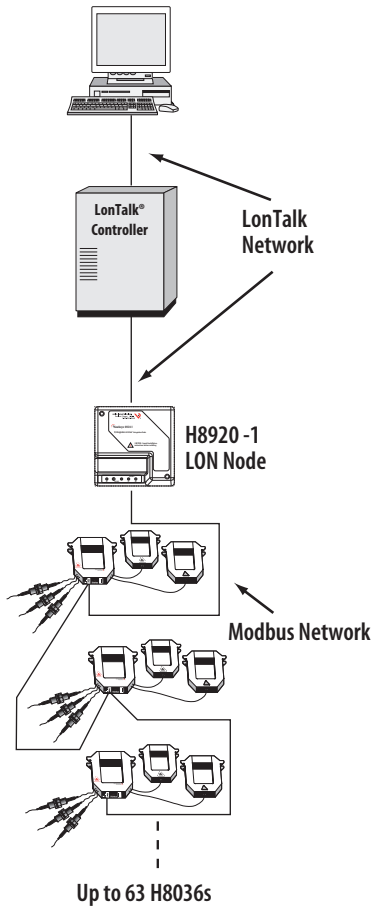
APPLICATIONS

- Submetering for commercial tenants...allocate costs
- Energy managing and performance contracting
- Load shedding and demand control
- Activity-based costing in commercial and industrial facilities

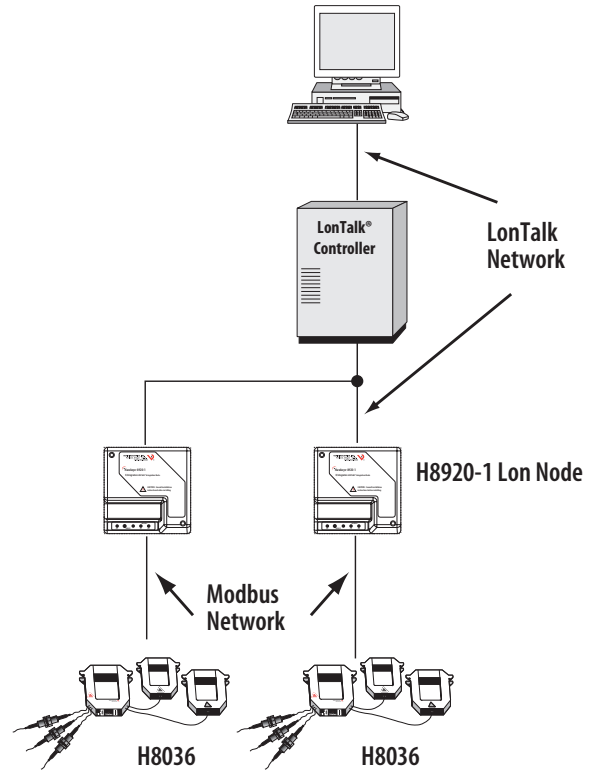


APPLICATION EXAMPLES

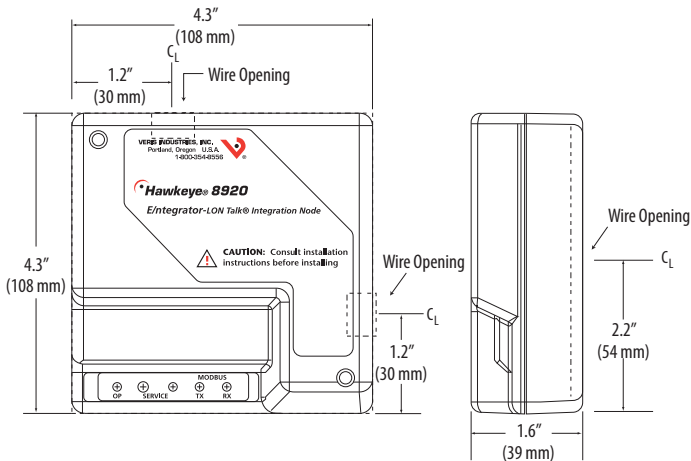
Indexed Option



Bound Option



DIMENSIONAL DRAWING



ORDERING INFORMATION

MODEL	DESCRIPTION
H8920-1	Enercept™ H8036 to LonTalk® integration node
H8920-3	H81xx Energy Meter to LonTalk® integration node
H8920-5	Enercept™ H8035 to LonTalk® integration node