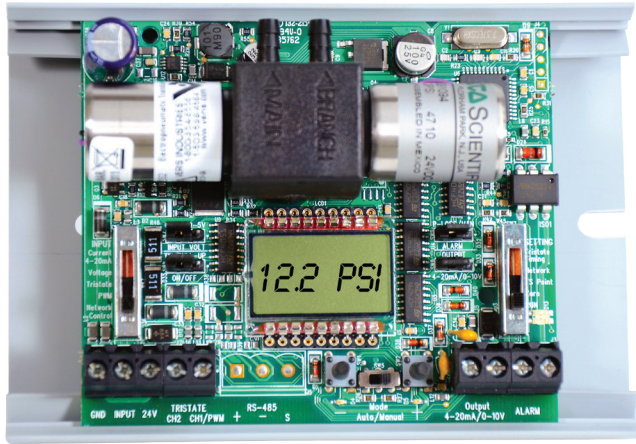


EP3 SERIES

Micro-Controlled with High-Performance, Low-Power Coil Poppet Valve Technology



EP3



EP Series transducers are sold as an open device. Observe handling precautions for static sensitive devices to avoid damage to the circuitry which would not be covered under the factory warranty.

The EP3 Series combines a microcontroller with high performance, low power coil poppet valve technology to create a system with unparalleled accuracy and proven reliability. The poppet valves used in the EP3 consume no air, eliminating unnecessary air losses in the system and allowing for efficient, long-term operation. The EP3 permits versatility, since all models feature manual override and a tri-state control option. The LCD provides easy visibility and the LED indicators provide visual status of valve operation in manual or automatic mode. All models come with SnapTrack housing and optional covers are available.

SPECIFICATIONS

GENERAL	
Input Power	Class 2; 22 to 30 Vdc/20 to 30 Vac, 47 to 63 Hz, 150 mA max. average, 350 mA peak
Control Input	Class 2; 4 to 20 mA/0-5 V/0-10 Vdc; switch-selectable, Tri-State, PWM
Input Impedance	4 to 20 mA, 250 Ω; 0-5 V/0-10 Vdc, 10 kΩ
Manual Override	Digital pushbutton adjust, switch-selectable mode
Alarm Contact	100 mA@30 Vac/dc (Pressure loss, manual mode, jumper selectable)
Accuracy	1% FS; combined linearity, hysteresis, repeatability @20 °C (68 °F) ambient
Temperature Coefficient	±0.1%/°C
Operating Temp Range	41 to 140 °F (5 to 60 °C)
Operating Hum. Range	10 to 90% RH non-condensing

Field-selectable

Field-selectable 4 to 20 mA/ 0-5 V/0-10 Vdc input for application flexibility

Multi-point calibration

3 to 15 psi (5-point calibration) and 0 to 20 psi (6-point calibration)

Quiet operation

Poppet valve technology for quiet operation

Pressure loss alarm

Pressure loss alarm provides a contact closure if the EP3 is unable to achieve the desired output within a fixed length of time

Manual override

Manual override with set and hold feature...great for commissioning leaky systems

Fail-safe vent

Fail-safe vent solenoids bleed branch pressure on power failure for added safety

APPLICATIONS

- Hospitals
- Schools
- Pneumatic dampers/actuators

SCIM	523 in ³ /min @ 45 psi; (8570 cm ³ /min @ 310.3 kPa); 333 in ³ /min @ 20 psi (5457 cm ³ /min @ 137.9 kPa)
Supply Pressure	Min (0.1 psi + user F.S. pressure); Max 45 psig
Control Range	User programmable zero selectable from 0 to 25 psi: Full scale 0 to 25 psi
Pressure Differential	0.1 psig (supply to branch)
Pressure Indication	Electronic, 3-1/2 digit backlit LCD
Min. Tubing Length	15 feet*
Port Connection	1/8" I.D. poly tubing
Media Connection	Clean, dry air, or inert gas. Do not use with oxygen service

WARRANTY

Limited Warranty 5 years

AGENCY APPROVALS



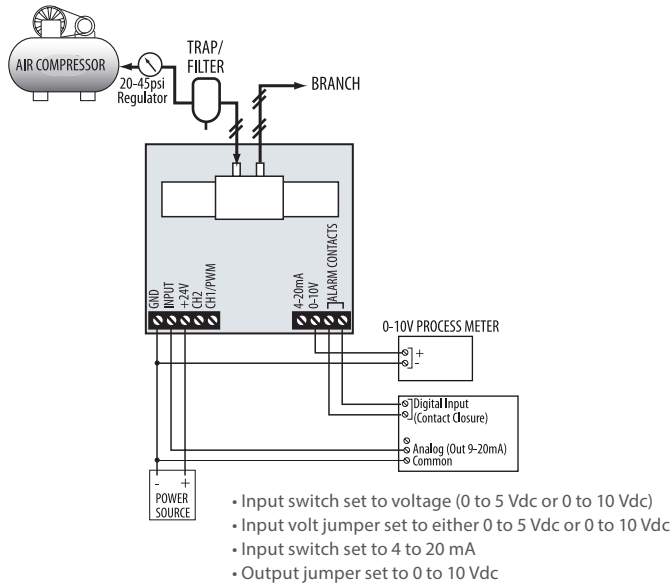
*For shorter tubing runs use the Veris AA45 Pneumatic Capacitor
EMC Conformance: Low voltage directive 2014/35/EU; EMC directive 2014/30/EU.
EMC Special Note - CE option: Connect this product to a DC distribution network or an AC/DC power adaptor with proper surge protection (EN 61000-6-1 specification requirements).

**The CE mark indicates RoHS2 compliance. Please refer to the CE Declaration of Conformity for additional details.

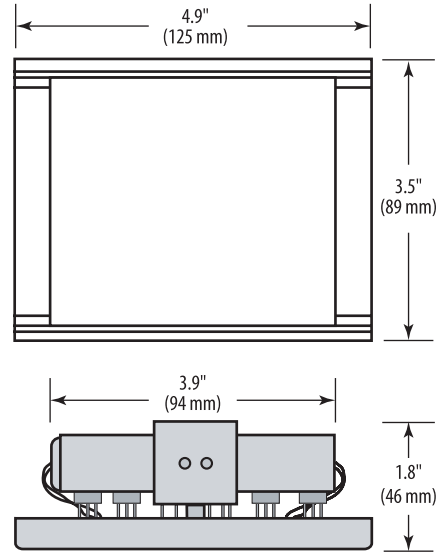


CURRENT/VOLTAGE CONTROL

Wiring Diagrams

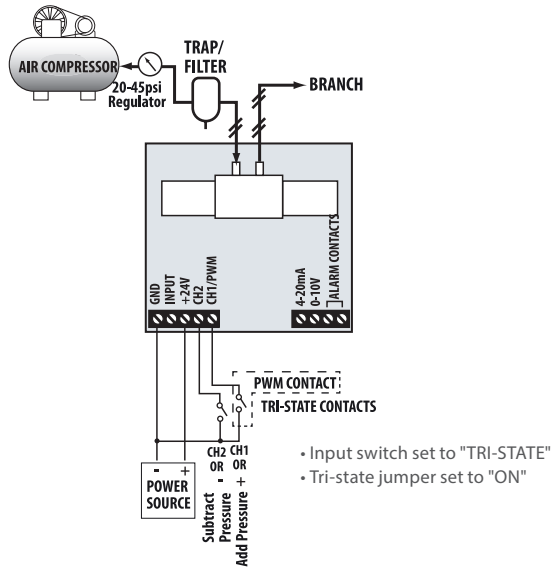


DIMENSIONAL DRAWINGS



TRI-STATE CONTROL

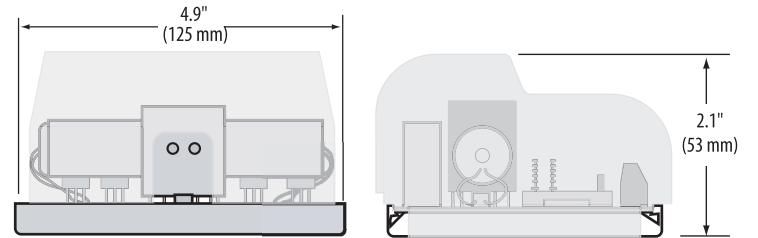
Wiring Diagrams



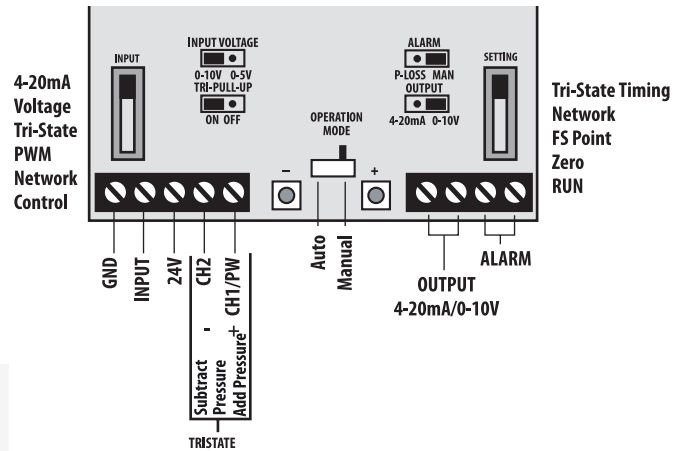
DUST COVER

Dimensional Drawings (Front View)

Side View



CONFIGURATION



ORDERING INFORMATION

Output	Feedback	Failsafe	US or EU	Option
EP3	3			
0 = None 3 = Analog output: 0-10VDC, or 4-20mA, selectable	= Pressure Loss Alarm, or Manual Mode Alarm	0 = None 1 = Vent on Power Fail	S = Standard C = CE, includes cover plate	Blank = None 2 = EP Cover Plate
Example: EP 3 3 3 1 S 2 Option = Cover Plate				