

E681X & E682X SERIES

Medium Current Ranges



High accuracy

±0.5% from 5% to 120% of rated current for E682x or ±1% from 10% to 100% of rated current for E681x

UL Recognized

UL Recognized

0.333 V output

0.333 V output

APPLICATIONS

- Data logging
- Recording
- Power monitoring
- Energy management
- Alternative energy monitoring
- Cost allocation

The E681x and E682x Series of current transducers provide a standard voltage output for use with data loggers, chart recorders, and power monitoring equipment. Both series have 0.333 V output. E682x devices are solid-core, while E681x CTs are split-core.

SPECIFICATIONS

Split-Core

Output at Rated Current	0.333 Vac
Accuracy	1% from 10% to 100% of rated current
Frequency Range	50/60 Hz
Leads	22 AWG, 600 Vac, UL 1015 bonded pair, 6 ft. (1.8 m) standard length
Max. Voltage L-N Sensed Conductor*	E681A051V3: 300 Vac (basic insulation rating), 150 Vac (reinforced insulation rating) E681B101V3 and E681C201V3: 600 Vac (basic insulation rating), 300 Vac (reinforced insulation rating)
Operating Temp Range	0 to 70 °C (32 to 158 °F)
Storage Temp Range	-40 to 105 °C (-40 to 221 °F)
Humidity Range	0 to 95% non-condensing
Altitude of Operation	3 km max.
Installation Category	Category III, pollution degree 2

WARRANTY

Limited Warranty	5 years
------------------	---------

AGENCY APPROVALS

Agency Approvals	UL61010-1, EN61010-1
------------------	----------------------



SPECIFICATIONS

Solid-Core

Output at Rated Current	0.333 Vac
Accuracy	±0.5% of reading from 5% to 120% of rated current
Frequency Range	50/60 Hz
Leads	22 AWG, 600 Vac, UL 1015 bonded pair, 6 ft. (1.8 m) standard length
Max. Voltage L-N Sensed Conductor**	600 Vac (basic insulation rating), 300 Vac (reinforced insulation rating)
Operating Temp Range	-40 to 85 °C (40 to 185 °F)
Storage Temp Range	-50 to 105 °C (-58 to 221 °F)
Humidity Range	0 to 95% non-condensing
Altitude of Operation	3 km max.
Agency Approvals	UL61010-1, EN61010-1
Installation Category	Category III, pollution degree 2

WARRANTY

Limited Warranty	5 years
------------------	---------

AGENCY APPROVALS



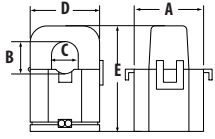
*The CE mark indicates RoHS2 compliance. Please refer to the CE Declaration of Conformity for additional details.

** Do not apply these current transducers to circuits having a phase-to-phase voltage greater than the maximum rated voltage (300 Vac or 600 Vac, see above), unless adequate additional insulation is applied between the primary conductor and the current transducers. Veris assumes no responsibility for damage of equipment or personal injury caused by products operated on circuits above their published ratings.

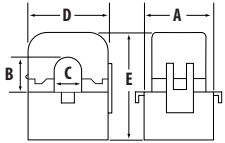


E681X

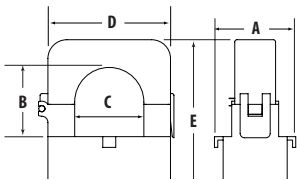
Dimensional Drawings



50 Amp
 A = 1.0" (26 mm)
 B = 0.5" (11 mm)
 C = 0.4" (10 mm)
 D = 0.9" (23 mm)
 E = 1.6" (40 mm)



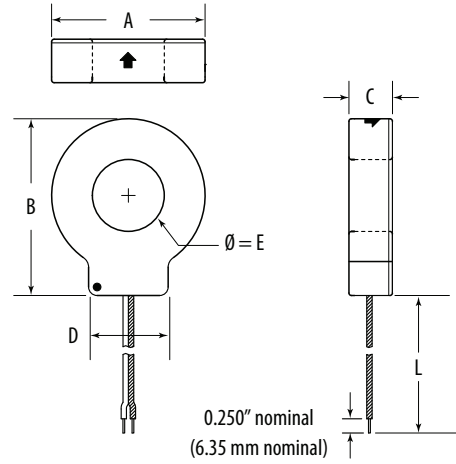
100 Amp
 A = 1.5" (37.5 mm)
 B = 0.6" (16 mm)
 C = 0.6" (16 mm)
 D = 1.85" (47 mm)
 E = 2.1" (53 mm)



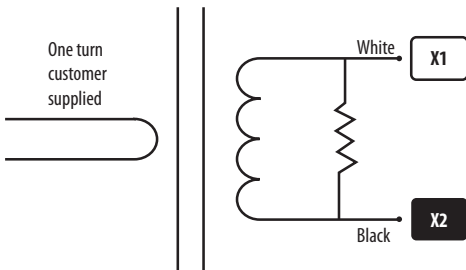
200 Amp
 A = 1.5" (39 mm)
 B = 1.25" (32 mm)
 C = 1.25" (32 mm)
 D = 2.5" (64 mm)
 F = 2.8" (71 mm)

E682X

Dimensional Drawing



WIRING EXAMPLE



MODEL	L	A	B	C	D	E
E682A051V3	6' (1.8 m)	1.3" (33 mm)	1.5" (38 mm)	0.7" (18 mm)	0.8" (21 mm)	0.4" (10 mm)
E682A101V3						
E682C201V3	6' (1.8 m)	2.3" (59 mm)	2.6" (66 mm)	0.7" (18 mm)	1.2" (31 mm)	1.0" (25 mm)
E682D401V3	6' (1.8 m)	2.8" (70 mm)	3.2" (82 mm)	1.0" (25 mm)	1.4" (36 mm)	1.25" (31 mm)

ORDERING INFORMATION

Split-core

MODEL	DESCRIPTION
E681A051V3	Split-core CT, 50 A: 0.333 V, 0.4 in ID, 6 ft leads
E681B101V3	Split-core CT, 100 A: 0.333 V, 0.6 in ID, 6 ft leads
E681C201V3	Split-core CT, 200 A: 0.333 V, 1.25 in ID, 6 ft leads

ORDERING INFORMATION

Solid-core

MODEL	DESCRIPTION
E682A051V3	Solid-core CT, 50 A: 0.333 V, 0.4 in ID, 6 ft leads
E682A101V3	Solid-core CT, 100 A: 0.333 V, 0.4 in ID, 6 ft leads
E682C201V3	Solid-core CT, 200 A: 0.333 V, 1.0 in ID, 6 ft leads
E682D401V3	Solid-core CT, 400 A: 0.333 V, 1.25 in ID, 6 ft leads

Note: Other lead lengths are available. Consult factory.

