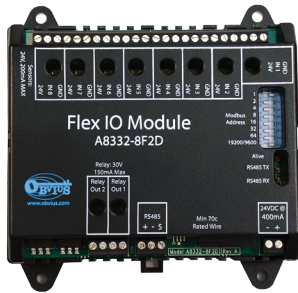


A8332-8F2D

Pulse/Analog-to-Modbus® Converter



A8332-8F2D

The A8332-8F2D Input Module provides a convenient way to optimize energy use and accurately allocate costs. Add eight standard pulse and/or analog sensors to a data acquisition network. Integrate your Veris network sensors through the A8332-8F2D to a Veris H8822 Data Acquisition Server.

The A8332-8F2D is the first truly flexible input module that allows incorporation of virtually any industry-standard sensor through a single device. The module can be incorporated with cost-effective data acquisition and wireless metering solutions such as the H8822 AcquiSuite DR™ server, which, as a properly integrated system, provides high performance and low cost. This system can be incorporated into a new or existing Building Automation System (BAS). Using the AcquiSuite data acquisition system, users can set input types (pulse, analog, resistive, etc.), giving access to real time resource consumption for a facility on a single board.

SPECIFICATIONS

Processor	ARM 7, field upgradable firmware
LED	8 input status LEDs (red), 2 Modbus TX/RX (yellow), 1 power/alive status (green)
Protocols	Modbus/ RTU
Power Supply	24 Vdc, 200 mA (not included)
Serial Port	RS-485 Modbus, 19200 or 9600 baud. 8N1
Inputs	8x, user selectable; 0-10V: Min/Max/Ave/Instantaneous; 4 to 20 mA: Min/Max/Ave/Instantaneous; Pulse: Consumption, Rate; Resistance: 0 to 10 V: Min/Max/Ave/Instantaneous
Maximum Pulse Rate	10 Hz
Contact Closure Threshold	1 kΩ
Isolation	RS-485 port is optically isolated

OPERATING ENVIRONMENT

	Indoor use only; -30 to 70 °C (32 to 122 °F), 0 to 95% RH non-condensing
--	--------------------------------------------------------------------------

WARRANTY

Limited Warranty	2 years
------------------	---------

Connect up to eight sensors

Connect up to eight industry-standard sensors to the AcquiSuite data acquisition network

DIP switch

Field-selectable address DIP switch...no software or PC configuration required at device

Universal inputs

Universal inputs simplify setup... just connect sensors and select device output type via the AcquiSuite or using Obvius configuration software

High reliability

Non-volatile memory retains configuration and pulse data during power failures

LEDs

Check device status at a glance... LED indicators allow for fast recognition of on/off status, TX/RX communications, and 8 input notifications

Prevent data loss

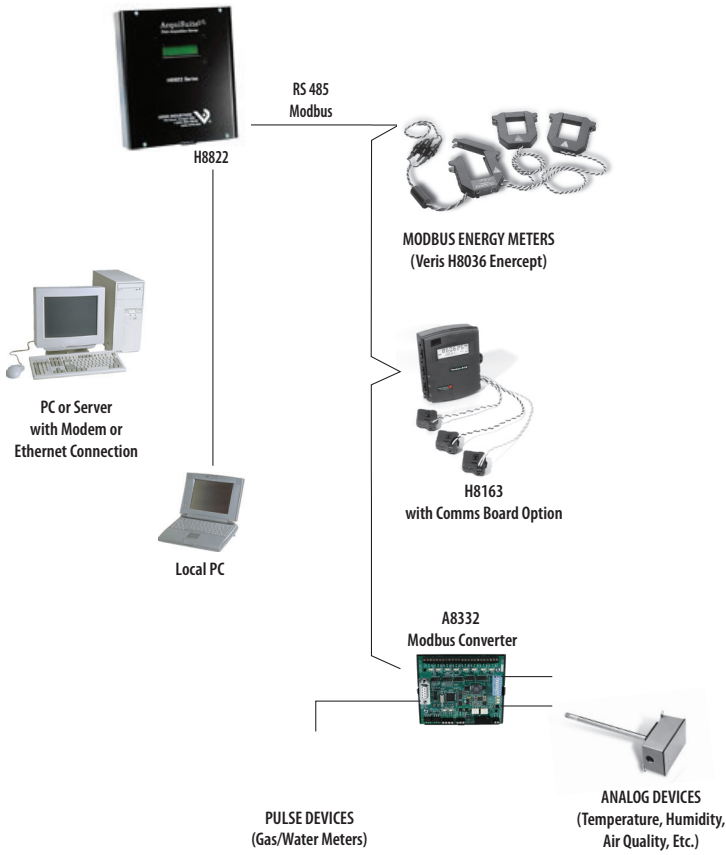
All configuration information and input data is stored in non-volatile memory to prevent data loss in the event of power failure

APPLICATIONS

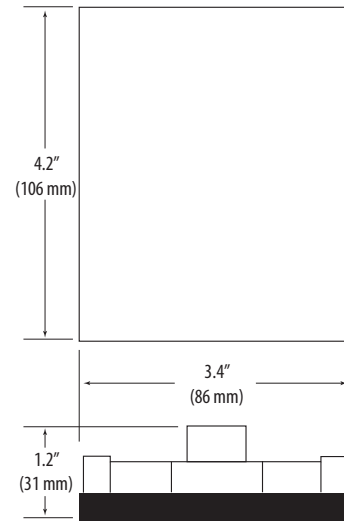
- Demand response program control and reporting
- Cost allocation to tenants and third parties
- Measurement and verification of energy savings
- Converting pulse inputs from water and gas flow meters to a Modbus network
- Monitoring performance of building systems (e.g., chillers, boilers, fans)



APPLICATION EXAMPLE



DIMENSIONAL DRAWING



ORDERING INFORMATION

MODEL	MANUF. PART #	DESCRIPTION
U013-0011	A8332-8F2D	Flexible I/O Module