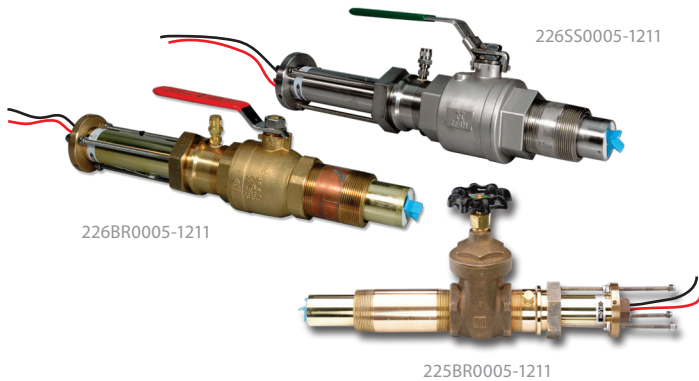


# 225X & 226X SERIES

Permits Service While System is Pressurized



Insert-style hot tap liquid flow sensors with brass or stainless steel sleeves feature a ball or gate valve for pipe sizes 3" to 40" (77 to 1016 mm). These devices are designed for hot tap applications in pipes that cannot be drained for service. The HTT tool is required for hot tap installation. Use with a flow monitor or transmitter for a complete flow monitoring system.

## SPECIFICATIONS

Temperature Rating	105 °C (221 °F) continuous
Pressure Rating	At 38° C (100 °F) 225BR: 300 psi; 226BR/226SS: 400 psi; At 105 °C (221 °F) 225BR: 210 psi; 226BR: 250 psi; 226SS: 300 psi
Wetted Materials	UHMW-PE bearing, polyamide impeller, tungsten carbide shaft, EPDM O-rings
Accuracy	±1.0% of full scale over recommended design flow range; ±4.0% of reading within calibration range*
Repeatability	±0.3% of full scale over recommended design flow range*
Linearity	±0.2% of full scale over recommended design flow range*
Output Frequency	3.2 Hz to 200 Hz
Output Pulse Width	5 ms ±25%

## WARRANTY

Limited Warranty	1 year
------------------	--------

\* ≥10 upstream and ≥5 downstream straight pipe diameters, uninterrupted flow.

## 2000 ft signal travel

Signal can travel up to 2000 ft (609 m) between the sensor and the display unit without the need for amplification

## Cable options

Supplied with 20 ft (6 m) of 2-conductor AWG 20 UL type PTLC cable (105 °C rated)

## Non-magnetic sensing

Six-bladed impeller design with a proprietary, non-magnetic sensing mechanism for high accuracy and repeatability. Forward-swept impeller is less prone to fouling by water-borne debris...reliable performance with minimal downtime.

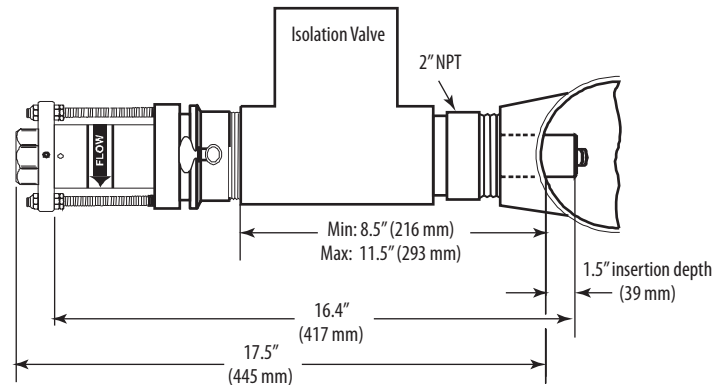
## Hot tap design

Hot tap design for use in applications where the pipe cannot be drained for service after installation...reduce downtime for maintenance

## APPLICATIONS

- Measuring liquid flow rates

## DIMENSIONAL DRAWING



## ORDERING INFORMATION

MODEL	MANUF. PART #	DESCRIPTION
U001-0003	225BR0005-1211*	Flow, Sensor, Hot Tap, Brass, Gate Valve
U001-0004	226BR0005-1211*	Flow, Sensor, Hot Tap, Brass, Ball Valve
U001-0005	226SS0005-1211*	Flow, Sensor, Hot Tap, SS, Ball Valve
U001-0071	HTT	Flow, Tool, HotTap, 200 Series, Insert/Remove