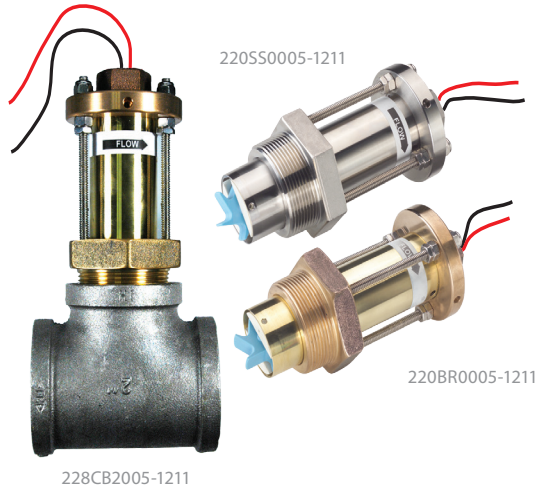


220X & 228X SERIES

For Pipe Sizes 3" To Over 40"



Insert-style liquid flow sensors with brass or stainless steel sleeves fit pipe sizes from 3" to 40" (77 to 1016 mm). These sensors can be purchased with a bronze or iron tee. Sensor output is a frequency that indicates flow rate. Used in conjunction with a compatible flow monitor or transmitter, these non-magnetic flow sensors provide an accurate reading of the rate of liquid flow, as well as total accumulated flow.

SPECIFICATIONS

Temperature Rating	105 °C (221 °F) continuous
Pressure Rating	At 38 °C (100 °F) Insert: 400 psi; brass tee: 200 psi; iron tee: 175 psi
Recommended Design Flow Range	0.5 to 30 ft/sec (0.15 to 9 m/sec); initial detection below 0.3 ft/sec
Wetted Materials	UHMW-PE bearing, polyamide impeller, tungsten carbide shaft, EPDM O-rings
Accuracy	1% F.S. over recommended design flow range; ±4% of reading within calibration range*
Repeatability	±0.3% of full scale over recommended design flow range*
Linearity	±0.2% of full scale over recommended design flow range*
Output Frequency	3.2 Hz to 200 Hz
Output Pulse Width	5 ms ±25%

WARRANTY

Limited Warranty	1 year
------------------	--------

* ≥10 upstream and ≥5 downstream straight pipe diameters, uninterrupted flow.

2000 ft signal travel

Signal can travel up to 2000 ft (609 m) between the sensor and the display unit without the need for amplification

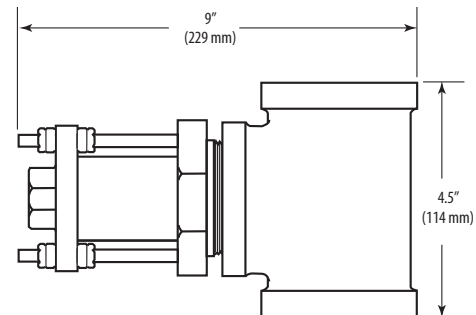
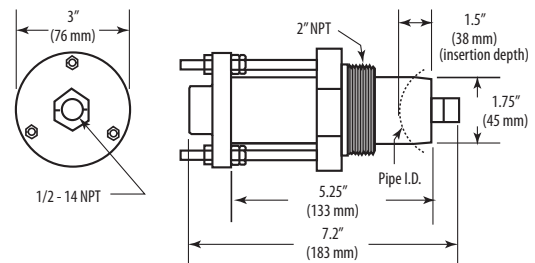
Cable options

Supplied with 20 ft (6 m) of 2-conductor AWG 20 UL type PTLTC cable (105 °C rated)

Non-magnetic sensing

Six-bladed impeller design with a proprietary, non-magnetic sensing mechanism for high accuracy and repeatability. Forward-swept impeller is less prone to fouling by water-borne debris...reliable performance with minimal downtime.

DIMENSIONAL DRAWINGS



ORDERING INFORMATION

MODEL	MANUF. PART #	DESCRIPTION
U001-0001	220BR0005-1211	Flow, Sensor, Insert, Brass Sleeve, 3" to 40" (77 to 1016 mm) pipe
U001-0002	2205S0005-1211	Flow, Sensor, Insert, SS Sleeve, 3" to 40" (77 to 1016 mm) pipe
U001-0006	228BR2005-1211	Flow, Sensor, Insert, Brass, 2" Brass Tee
U001-0007	228CB2005-1211	Flow, Sensor, Insert, Brass, 2" Iron Tee
U001-0025	228BR2505-1211	Flow, Sensor, Insert, Brass, 2.5" Brass Tee
U001-0030	228CB2505-1211	Flow, Sensor, Insert, Brass, 2.5" Iron Tee
U001-0072	228BR2004-0211	Flow, Sensor, Insert, Brass, 2", Viton

